

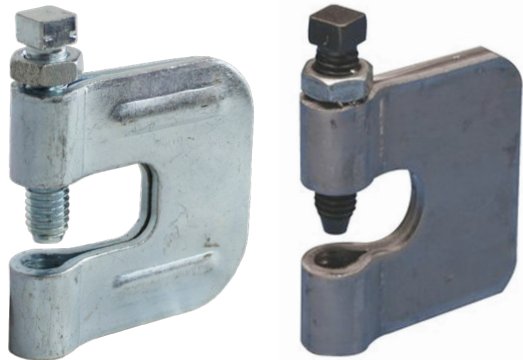


BEAM CLAMPS

C-CLAMP & JR TOP BEAM CLAMPS

AF C-Clamp Beam Clamp

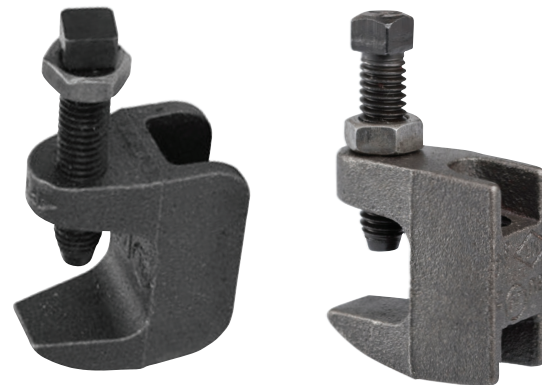
The C-Clamp is used to attach threaded rod to the bottom flange of a beam. Hardened steel cup point set screw secures clamp to beam.



AF Jr Top Beam Clamp

AF Wide Mouth Top Beam Clamp

The top beam clamp is designed to suspend threaded rod from the top flange of a beam or bar



STEEL C-CLAMP: KEY BENEFITS

- Carbon Steel
- With Lock Nut
- UL® Listed
- FM Approved
- Available in Plain and Electro-Galvanized

STEEL C-CLAMP: DIMENSIONAL DATA

Materials/Finishes	Plain Carbon Steel Electro-galvanized
Variants	Plain Carbon Steel with Locknut Electro-galvanized with Locknut T-304 Stainless Steel with Locknut T-316 Stainless Steel with Locknut
Service	Listed for the bottom flange of a beam. Features the ribbed design for added strength. Hardened steel cup point set screw secures clamp to beam.
Approvals	UL - U.L.C. listed 3/8 and 1/2 (1/2 for 4" IPS max) with locknut only. FM approved (excluding stainless steel) for 3/8 only with and without locknut. Complies with Federal Specification WW-H-171-E (Type# 23), A-A-1192 A (Type# 23), Manufacturers' Standard Society SP-58 and MSS SP-69 (Type# 23).
Notes	See MSS SP-69 for proper set screw torque recommendations

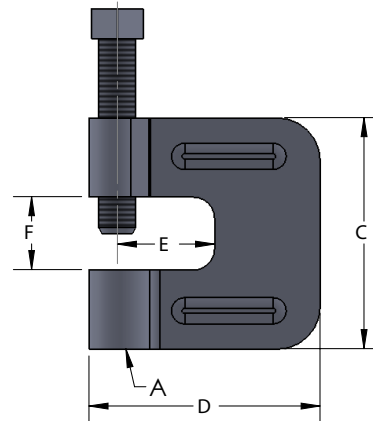


BEAM CLAMPS

C-CLAMP & JR TOP BEAM CLAMPS

DIMENSIONAL DATA (CONT'D)

Rod Size A	Set Screw	C	D	E	F	Max Pipe Size	WGT EACH (lbs)		MAX REC LOAD (lbs)
							Plain (w/o nut)	Plain (w/ nut)	
3/8-16	3/8-16	2-3/8	2-3/8	1	3/4	4	.38	.40	400
1/2-13	3/8-16	2-3/8	2-3/8	1	3/4	4	.38	.40	500
5/8-11	1/2-13	2-3/8	2-5/16	7/8	3/4	5	.56	.60	550
3/4-10	5/8-11	2-3/8	2-5/16	7/8	3/4	6	.60	.68	630
7/8-9	3/4-10	3	3-5/16	1-1/4	1-3/16	8	1.76	1.88	900



ORDERING INFORMATION

PART #	ROD SIZE	FINISH	QUANTITY / CASE
6CCPL038LN	3/8	PLAIN	100 / CASE
6CCGV038LN	3/8	ELECTRO-GALVANIZED	100 / CASE
6CCGV012LN	1/2	ELECTRO-GALVANIZED	50 / CASE

JR TOP BEAM CLAMP: KEY BENEFITS

- Malleable Iron
- With Lock Nut
- UL® Listed
- FM Approved
- Available in Plain and Electro-Galvanized

JR TOP BEAM CLAMP: DIMENSIONAL DATA

Materials/Finishes	Plain Malleable Iron: 3/8" - 7/8" Electro-Galvanized: 3/8" - 7/8" T-304 Stainless: 1/4" - 3/4" T-316 Stainless: 1/4" - 3/4"
Variants	Plain Malleable Iron: Domestic 3/8" - 3/4" Electro-galvanized: Domestic 3/8" - 3/4"
Service	Listed for top or bottom flange of a beam or bar joist where flange thickness does not exceed 5/8 of an inch.
Approvals	U.L. - U.L.C. listed 3/8 and 1/2 (1/2 for 4" IPS max). FM approved for 3/8 only. Complies with Federal Specification A-A-1192 A (Type# 19) and Manufacturers' Standardization Society MSS SP-58 and SP-69 (Type# 19).
Notes	Set screw is of hardened steel. See MSS SP-69 for proper set screw recommendations. Stainless steel beam clamps are recommended for corrosive environments.

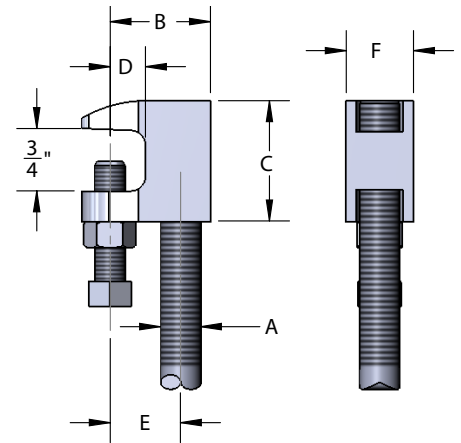


BEAM CLAMPS

C-CLAMP & JR TOP BEAM CLAMPS

DIMENSIONAL DATA (CONT'D)

Rod Size A	Set Screw	B	C	D	E	F	Max Pipe Size	WGT Each (lbs)	MAX REC LOAD (lbs) TOP	MAX REC LOAD (lbs) BOTTOM
1/4-20	3/8-16	1-5/16	1-1/2	1/2	1	7/8	-	0.340	-	-
3/8-16	3/8-16	1-5/16	1-1/2	1/2	1	7/8	4	0.320	610	610
1/2-13	3/8-16	1-5/16	1-1/2	1/2	1	7/8	4	0.320	750	1130
5/8-11	3/8-16	1-3/4	1-3/4	5/8	1-3/8	1-1/8	5	0.580	750	1130
3/4-10	3/8-16	1-7/8	1-7/8	5/8	1-3/8	1-3/8	6	0.820	750	1130
7/8-9	1/2-13	2-3/8	1-7/8	5/8	1-3/8	1-3/8	8	0.795	750	1130



ORDERING INFORMATION

PART #	ROD SIZE	FINISH	QUANTITY / CASE
6JBPL038	3/8	PLAIN	100 / CASE
6JBPL012	1/2	PLAIN	100 / CASE
6JBGV038	3/8	ELECTRO-GALVANIZED	100 / CASE
6JBGV012	1/2	ELECTRO-GALVANIZED	100 / CASE
6JBGV058	5/8	ELECTRO-GALVANIZED	50 / CASE
6JBGV034	3/4	ELECTRO-GALVANIZED	50 / CASE

WIDE MOUTH BEAM CLAMP: KEY BENEFITS

- Malleable Iron
- With Lock Nut
- UL® Listed
- FM Approved
- Available in Plain and Electro-Galvanized

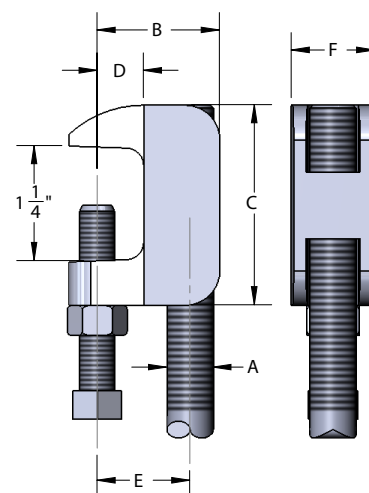


BEAM CLAMPS

C-CLAMP & JR TOP BEAM CLAMPS

WIDE MOUTH CLAMP: DIMENSIONAL DATA

Materials/Finishes	Plain Malleable Iron Electro-Galvanized
Variants	Plain Malleable Iron: Domestic 3/8" x 1/2" Electro-galvanized: Domestic 3/8" - 1/2"
Service	Listed for top or bottom flange of a beam or bar.
Approvals	U.L. - U.L.C. listed 3/8" and 1/2" (1/2 for 4" IPS max). FM approved for 3/8" only. Complies with Federal Specification A-A-1192A (Type# 19) and Manufacturers' Standardization Society MSS SP-58 and SP-69 (Type# 19).
Notes	See MSS SP-69 for proper set screw torque recommendations.



Rod Size A	Set Screw	B	C	D	E	F	Max Pipe Size	WGT Each (lbs)	MAX REC LOAD (lbs) TOP	MAX REC LOAD (lbs) BOTTOM
3/8-16	3/8-16	1-3/8	2	1/2	1	7/8	4	0.55	610	610
1/2-13	3/8-16	1-3/8	2	1/2	1	7/8	4	0.56	750	1130
5/8-11	3/8-16	1-7/8	2-3/8	5/8	1-3/8	1-1/4	5	0.66	750	1130
3/4-10	3/8-16	1-7/8	2-3/8	5/8	1-3/8	1-1/4	6	0.83	750	1130

ORDERING INFORMATION

PART #	ROD SIZE	FINSIH	QUANTITY / CASE
6TBPL038	3/8	PLAIN	100 / CASE
6TBGV038	3/8	ELECTRO-GALVANIZED	100 / CASE
6TBGV012	1/2	ELECTRO-GALVANIZED	50 / CASE