



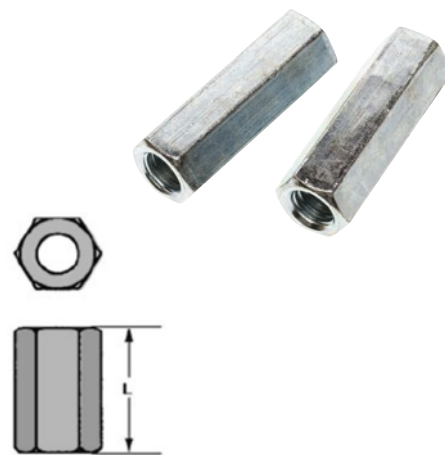
# ROD COUPLING & ROD REDUCING COUPLING

PLAIN & ELECTRO-GALVANIZED

## ROD COUPLING NUTS - DIMENSIONAL DATA

|                 |   |
|-----------------|---|
| <b>Material</b> | Carbon steel, also available in 304 and 316 stainless steel.  |
| <b>Finish</b>   | Plain or electro-galvanized.  |
| <b>Service</b>  | Designed for connecting two lengths of rod with equal diameters.  |
| <b>Ordering</b> | Specify rod size, figure number and finish.   |
| <b>Notes</b>    | Stainless steel rod couplings are recommended for applications where protection from corrosive environment is needed. |

| Size    | Length | Hex Width | Weight Each (lbs) | Max Rec Load (lbs) |
|---------|--------|-----------|-------------------|--------------------|
| 1/4-20  | 7/8    | 3/8       | 0.02              | 230                |
| 3/8-16  | 1-3/4  | 5/8       | 0.11              | 610                |
| 1/2-13  | 1-3/4  | 11/16     | 0.10              | 1130               |
| 5/8-11  | 2-1/8  | 13/16     | 0.18              | 1810               |
| 3/4-10  | 2-1/4  | 1         | 0.28              | 2710               |
| 7/8-9   | 2-1/2  | 1-1/4     | 0.55              | 3770               |
| 1-8     | 2-3/4  | 1-3/8     | 0.71              | 4960               |
| 1-1/8-7 | 3      | 1-1/2     | 0.86              | 6230               |
| 1-1/4-7 | 3      | 1-5/8     | 0.95              | 8000               |
| 1-1/2-6 | 3-1/2  | 2         | 1.88              | 11630              |



## REDUCING ROD COUPLING NUTS - DIMENSIONAL DATA

|                 |  |
|-----------------|--|
| <b>Material</b> | Carbon steel, also available in 304 and 316 stainless steel.         |
| <b>Finish</b>   | Electro-galvanized.  |
| <b>Service</b>  | Designed for connecting two lengths of rod with different diameters. |
| <b>Ordering</b> | Specify rod sizes and figure number.                                 |

| Size            | Length | Hex Width | Weight Each (lbs) | Max Rec Load (lbs) |
|-----------------|--------|-----------|-------------------|--------------------|
| 3/8 x 1/4-20    | 1      | 1/2       | 0.04              | 225                |
| 1/2-13 x 3/8-16 | 1-1/4  | 5/8       | 0.07              | 610                |
| 5/8-11 x 1/2-13 | 1-1/4  | 13/16     | 0.14              | 1130               |
| 3/4-10 x 5/8-11 | 1-1/2  | 1         | 0.21              | 1810               |
| 7/8-9 x 3/4-10  | 1-3/4  | 1-1/4     | 0.40              | 2710               |
| 1-8 x 7/8-9     | 2      | 1-3/8     | 0.55              | 3770               |

