



PHOENIX SAFETY CLIMB INSTALLATION INSTRUCTIONS

ALL ASSEMBLIES

Users are advised to use this product strictly as intended by the manufacturer. Allfasteners disclaims all liability for any injury or damage resulting from the incorrect installation or use of this product. By using this product, users agree to hold Allfasteners harmless against any such claims.

IMPORTANT INFORMATION

Must follow **ALL** of the below statements prior to use:

1. Prior to use, ensure all operating procedures have been read and understood.
2. This fall arrest system is only to be used by competent climbers who have experience in the safe use of the system and associated equipment.
3. Ensure all workplace OSHA requirements are identified and understood. A job hazard assessment with a safe work method ANSI/ASSE A10.48 must be completed and approved by management prior to work commencing.
4. This system requires periodic inspection and maintenance by a competent person.
5. Authorization to access any risk area must be obtained from the person in control of the worksite.
6. Only approved certified ANSI A14.3 2008 equipment to be used with this system.
7. Visually inspect the system for damage prior to use. System must not be used if there is any deterioration or deformation of any components or structure to which the system is attached.
8. If the safety system is damaged or has arrested a fall, discontinue use until it has been fully inspected and re-certified by a competent person.
9. Ensure all fixings, fittings and components are securely attached. Any tightening and replacement of components must be carried out by a competent person.
10. Persons must not be allowed to work alone in fall arrest situations in case emergency rescue assistance or first aid is required.
11. All applicable ANSI Standards, OSHA Acts & Regulations, and Codes of Practice & Guidelines must be read and obeyed when using this safety system.
12. This user manual does not in any way replace the need for competent/authorized climber. Failure to follow all warnings, usage and maintenance instructions may result in serious injury or death.

SYSTEM TYPE


Allfasteners Phoenix Safety Climb

COMPLIANCE

Allfasteners Phoenix Safety Climb conforms to ANSI A14.3-2008

IMPORTANT NOTE

Failure to supply and/or install proprietary product in accordance with above standards and codes, specifications and instructions voids complete system certification and/or warranty.

| | | |
|--|---|-------------------------------|
|  <small>959 LAKE ROAD MEDINA, OHIO 44256 P (440) 232-6060 F (440) 232-6062 www.allfasteners.com</small> | PHOENIX SAFETY CLIMB INSTALLATION INSTRUCTIONS | |
| | PART NUMBER: | 14PHX |
| | ITEM NAME: | PHOENIX SAFETY CLIMB ASSEMBLY |

Users are advised to use this product strictly as intended by the manufacturer. Allfasteners disclaims all liability for any injury or damage resulting from the incorrect installation or use of this product. By using this product, users agree to hold Allfasteners harmless against any such claims.

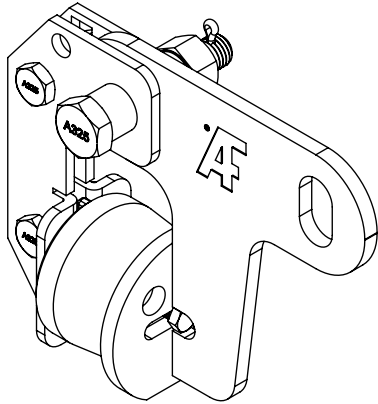


PHOENIX SAFETY CLIMB INSTALLATION INSTRUCTIONS

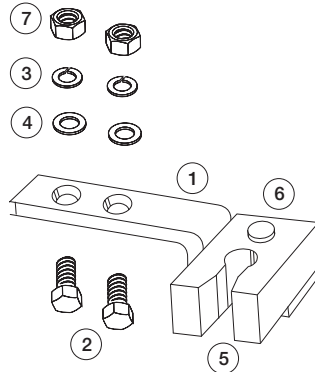
MONOPOLE ASSEMBLY

Users are advised to use this product strictly as intended by the manufacturer. Allfasteners disclaims all liability for any injury or damage resulting from the incorrect installation or use of this product. By using this product, users agree to hold Allfasteners harmless against any such claims.

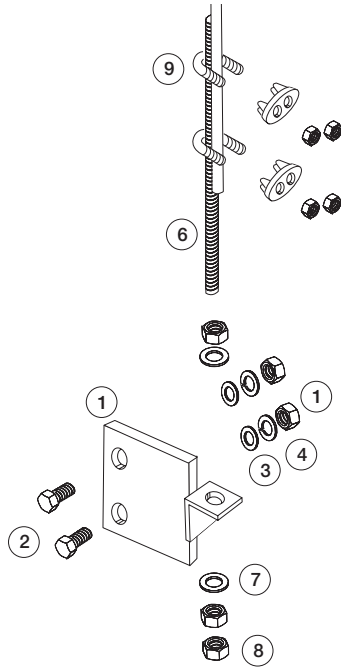
PARTS LIST



**14PHXHB - Phoenix
Head Bracket Kit
(1)**



**14AFPMIBS01 - Monopole Intermediate
Cable Guide w/ Hardware
(1) Every 25ft**



**14AFPMJHB01 - Bottom
Bracket w/ Hardware
(1)**

| PART # | DESCRIPTION |
|----------------|---|
| ① 14AFMLIB01-U | 3/16" Bracket - A36, Galv. |
| ② 2HCSG38114 | 3/8-16 x 1-1/4" Hex Cap Screw Gr A307 Galv. |
| ③ 2MSLG38 | 3/8" Medium Split Lock Washer Galv. |
| ④ 2USSG038 | 3/8" USS Flat Washer Galv. |
| ⑤ 13CGBLACK | Cable Guide for 3/8" Cable |
| ⑥ 4ABHR038134 | 3/8 x 1-3/4" Brazier Head Aluminum Rivets 1100F |
| ⑦ 2HHNG3816G2H | 3/8-16 Heavy Hex Nut A194 Gr 2H Galv. |

| PART # | DESCRIPTION |
|------------------|--|
| ① 14AFPMJHB01-U | Bottom Tensioner Bracket Galv. |
| ② 2STBG12134A325 | 1/2-13 x 1-3/4" Struc. Hex Bolt A325 Galv. |
| ③ 2WRWG012 | 1/2" Struc. Flat Washer F436 Galv. |
| ④ 2MSLG12 | 1/2" Medium Split Lock Washer Galv. |
| ⑤ 2HHNG1213G2H | 1/2-13 Heavy Hex Nut A194 Gr 2H Galv. |
| ⑥ 2TSG381000 | 3/8-16x10" Threaded Stud LC Galv. |
| ⑦ 2USSG038 | 3/8" USS Flat Washer Galv. |
| ⑧ 2HHNG3816G2H | 3/8-16 Heavy Hex Nut A194 Gr 2H Galv. |
| ⑨ 6WRCDF038 | 3/8" Wire Rope Clip Drop-Forged Galv. |

ALLFASTENERS 

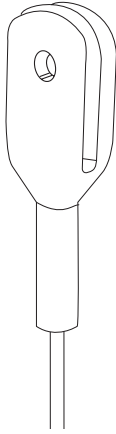
959 LAKE ROAD MEDINA, OHIO 44256
P (440) 232-6060 F (440) 232-6062
www.allfasteners.com

PHOENIX SAFETY CLIMB INSTALLATION INSTRUCTIONS

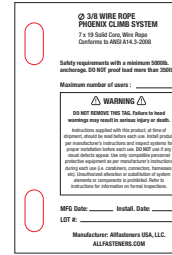
| | |
|--------------|--|
| PART NUMBER: | 14PHXPMS |
| ITEM NAME: | PHOENIX MONOPOLE SAFETY CLIMB ASSEMBLY |

Users are advised to use this product strictly as intended by the manufacturer. Allfasteners disclaims all liability for any injury or damage resulting from the incorrect installation or use of this product. By using this product, users agree to hold Allfasteners harmless against any such claims.

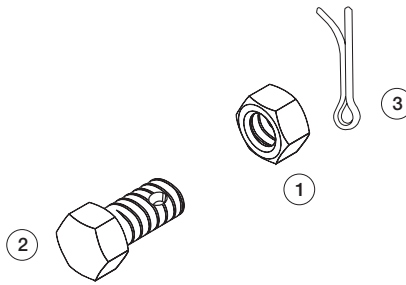
PARTS LIST



**14CA - 3/8 Aircraft Cable
7x19 Wire Rope Assembly
(X)ft**



**6AL36020 - Aluminum Tag
(1)**



**Safety Bolt Assembly
(1)**

| | PART # | DESCRIPTION |
|---|------------------|---|
| ① | 2FHNS25811 | 5/8-11 Finish Hex Nut Gr 304 SS |
| ② | 2HCSS258212-HOLE | 5/8-11 x 2-1/2" Hex Cap Screw Gr 18.8 SS with 1/8" Hole |
| ③ | 6CPS2018114 | 1/8x1-1/4" Cotter Pin Gr 304 SS |



959 LAKE ROAD MEDINA, OHIO 44256
P (440) 232-6060 F (440) 232-6062
www.allfasteners.com

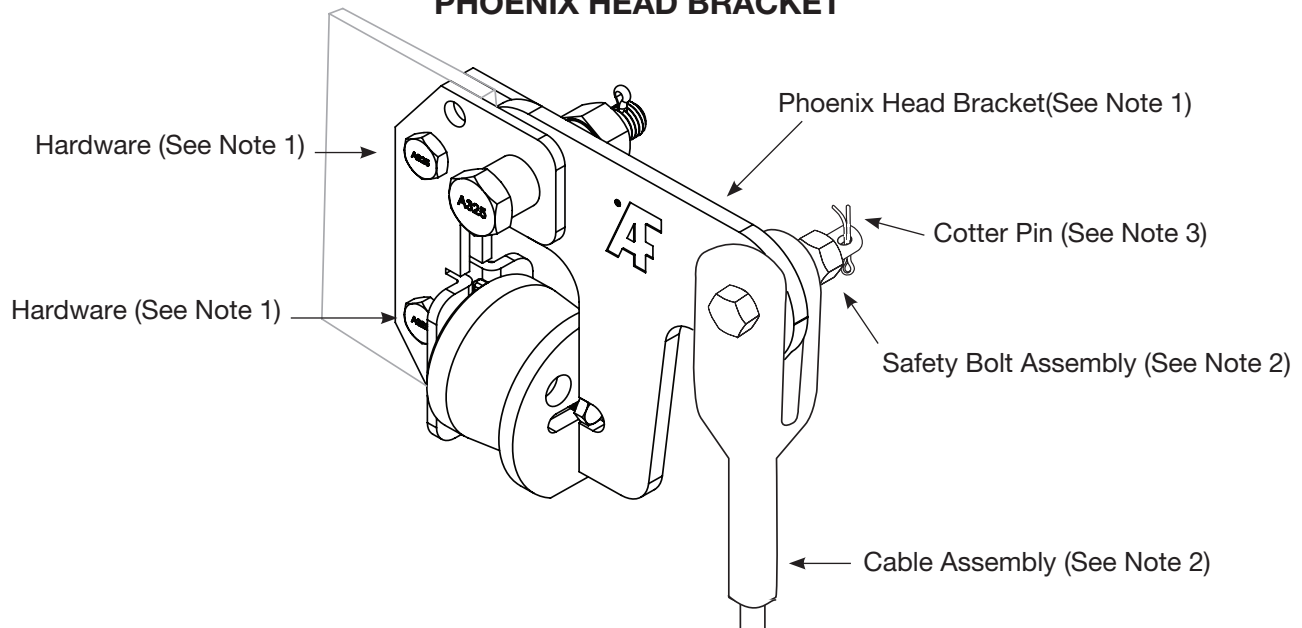
PHOENIX SAFETY CLIMB INSTALLATION INSTRUCTIONS

| | |
|--------------|--|
| PART NUMBER: | 14PHXPMS |
| ITEM NAME: | PHOENIX MONOPOLE SAFETY CLIMB ASSEMBLY |

Users are advised to use this product strictly as intended by the manufacturer. Allfasteners disclaims all liability for any injury or damage resulting from the incorrect installation or use of this product. By using this product, users agree to hold Allfasteners harmless against any such claims.

INSTALLATION INSTRUCTIONS

PHOENIX HEAD BRACKET



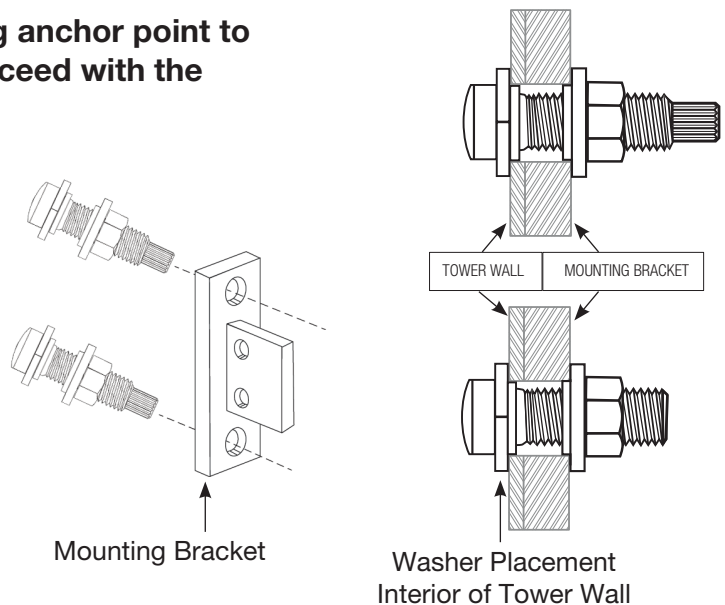
1. Attach 14PHXHB Phoenix Head Bracket to existing anchor point on tower using hardware provided. Tighten snug tight by threading hex bolts through washer and nut. If the structure does not have an existing anchor spot, see **SPECIAL NOTE** below.
2. Connect swaged yoke end of cable assembly to Phoenix Head Bracket using Safety Bolt Assembly.
3. Ensure Cotter Pin is installed & bent to prevent loosening of nut.

SPECIAL NOTE

If the structure does not have an existing anchor point to attach to the Phoenix Head Bracket, proceed with the following:

1. Install 14PHXHABNG2 Mounting Bracket using two (2) M20 x 32 NexGen2™ OneSide Bolts according to NexGen2™ installation instructions.
2. Make sure NexGen2™ OneSide Bolts are in place and are tight. Must be tensioned by shearing off the tip using the approved installation tools.
3. Make sure mounting bracket bolts are in place and are tight (turn of nut).

Note: Ensure to apply cold galvanizing to hole.



ALLFASTENERS 

959 LAKE ROAD MEDINA, OHIO 44256
P (440) 232-6060 F (440) 232-6062
www.allfasteners.com

PHOENIX SAFETY CLIMB INSTALLATION INSTRUCTIONS

| | |
|--------------|--|
| PART NUMBER: | 14PHXPMSC |
| ITEM NAME: | PHOENIX MONOPOLE SAFETY CLIMB ASSEMBLY |

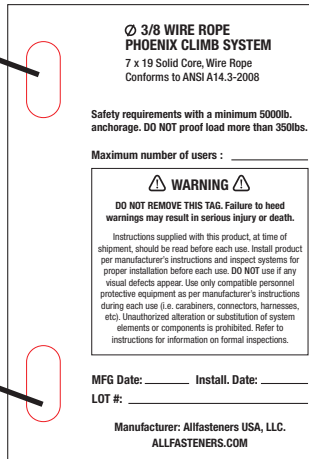
Users are advised to use this product strictly as intended by the manufacturer. Allfasteners disclaims all liability for any injury or damage resulting from the incorrect installation or use of this product. By using this product, users agree to hold Allfasteners harmless against any such claims.

INSTALLATION INSTRUCTIONS

ALUMINUM TAG

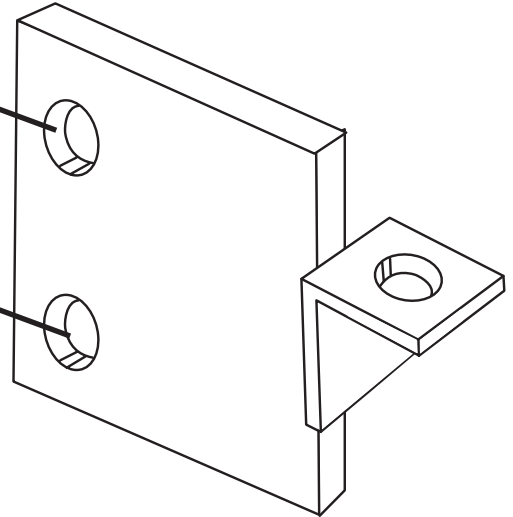
Mount to bottom
bracket.

Mount to bottom
bracket.



Mount here.

Mount here.



1. Mount Aluminum Tag (6AL36020) to Bottom Bracket (14AFPMJHB01) by using 1/2" Structural Bolts (2STBG12134A325).
2. Align holes on Aluminum Tag *6AL36020) with the holes on Bottom Bracket (14AFPMJHB01).
3. Thread one (1) 1/2" Structural Bolt (2STBG12134A325) through each hole and tighten with one (1) 1/2" Flat Washers (2WRWG012), 1/2" Split Lock Washer (2MSLG12), and 1/2" Heavy Hex Nut (2HHNG1213G2H) on the opposite side of the bracket.
4. Stamp on install date in corresponding locations on the tag.

ALLFASTENERS 

959 LAKE ROAD MEDINA, OHIO 44256
P (440) 232-6060 F (440) 232-6062
www.allfasteners.com

PHOENIX SAFETY CLIMB INSTALLATION INSTRUCTIONS

PART NUMBER: 14PHXPMS

ITEM NAME: PHOENIX MONOPOLE SAFETY CLIMB ASSEMBLY

Users are advised to use this product strictly as intended by the manufacturer. Allfasteners disclaims all liability for any injury or damage resulting from the incorrect installation or use of this product. By using this product, users agree to hold Allfasteners harmless against any such claims.

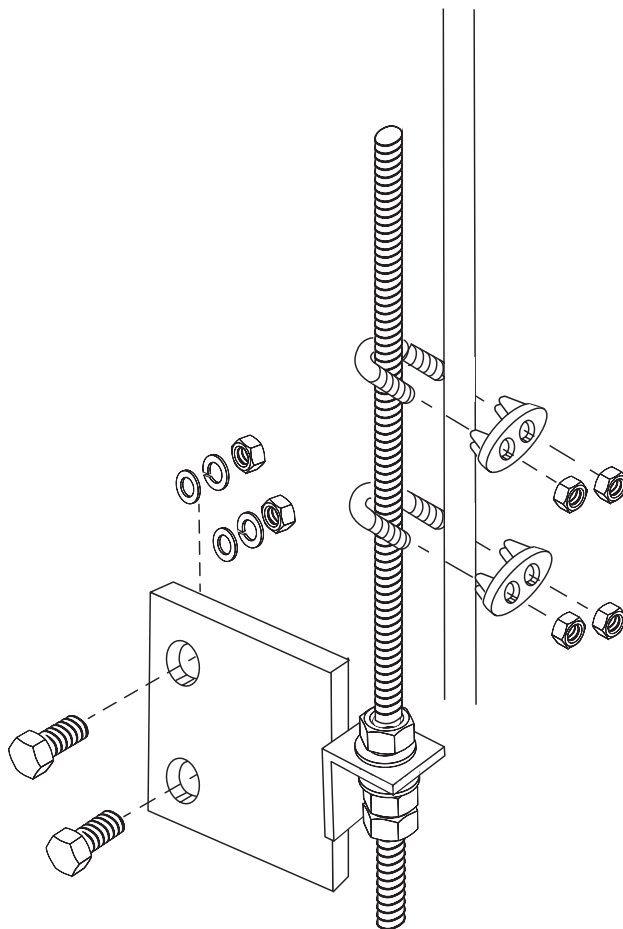
DATE: 3/19/2024

PAGE: 7

PREP BY: AF

INSTALLATION INSTRUCTIONS

BOTTOM BRACKET



1. Bolt Bottom Tensioner Bracket (14AFPMJHB01-U) to existing tab on the tower using 1/2" Structural Bolts (2STBG12134A325), 1/2" Structural Flat Washers (2WRWG012), 1/2" Split Lock Washer (2MSLG12), and 1/2 Heavy Hex Nut (2HHNG1213G2H).
2. Insert the 3/8" Threaded Stud (2TSG381000) through the hole on the tab extension of the Bottom Tensioner Bracket (14AFPMJHB01-U).
3. Thread one (1) 3/8" USS Flat Washer (2USSG038) and one (1) 3/8" Hex Nut (2HHNG3816G2H) from the top of the threaded rod, and one (1) 3/8" USS Flat Washer (2USSG038) and two (2) 3/8" Hex Nuts (2HHNG3816G2H) from the bottom. Do not over tension the nuts before ensuring wire rope is snug tight. See next page for more details.
4. Attach the 14CA Wire Rope Assembly to the threaded rod using two (2) Wire Rope Clips (6WRCDF038) - alternating tightening between the two clips to ensure proper installation.

ALLFASTENERS 

959 LAKE ROAD MEDINA, OHIO 44256
P (440) 232-6060 F (440) 232-6062
www.allfasteners.com

PHOENIX SAFETY CLIMB INSTALLATION INSTRUCTIONS

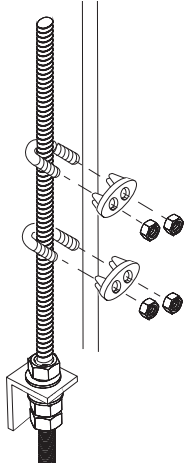
| | |
|--------------|--|
| PART NUMBER: | 14PHXPMS |
| ITEM NAME: | PHOENIX MONOPOLE SAFETY CLIMB ASSEMBLY |

Users are advised to use this product strictly as intended by the manufacturer. Allfasteners disclaims all liability for any injury or damage resulting from the incorrect installation or use of this product. By using this product, users agree to hold Allfasteners harmless against any such claims.

INSTALLATION INSTRUCTIONS

BOTTOM BRACKET

CABLE ASSEMBLY TO BE PRE-TENSIONED SNUG TIGHT TO PROTECT THE USER IN CASE OF A FALL EVENT, AND TO ENSURE NO DAMAGE TO THE CABLE.



1. Pull the cable snug tight (as tight as possible) before installing the wire rope clips.
2. Tighten all nuts until proper tension is achieved.
3. Cut excess cable, and install cold shrink sleeve to base of wire rope assembly.

COLD SHRINK SLEEVE

The cold shrink sleeve is a REQUIREMENT FOR ALL SAFETY CLIMB SYSTEMS.

The sleeve is designed to provide a covered end to the bottom of the wire rope assembly - leaving no exposed wire.

Fits all Allfasteners Safety Climb Systems & Wire Rope Assemblies.

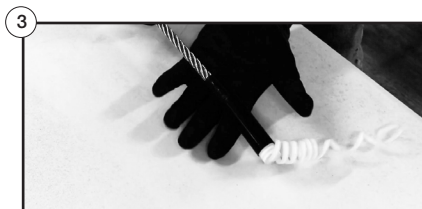
*Please note that inserting the wire rope into the wrong end of the cold shrink sleeve will result in improper installation, causing loose or frayed ends to remain exposed.



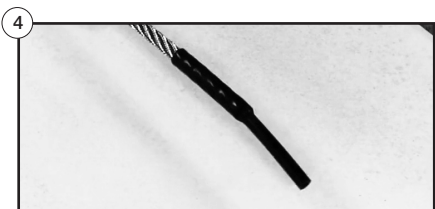
1. With the Safety Climb Assembly properly installed according to the instructions in this booklet, cut the wire rope roughly 6-10 inches below the bottom bracket.



2. Place the wire rope into the cold shrink sleeve at the end opposite the "pull direction" sticker.



3. Pull the sleeve's interior wire away from the wire rope. This will initiate the sleeve wrapping. If sleeve is not wrapping, ensure the wire rope is inserted into the correct end of the sleeve.



4. Continue to pull the line until the entire sleeve has covered the end of the wire.

ALLFASTENERS 

959 LAKE ROAD MEDINA, OHIO 44256
P (440) 232-6060 F (440) 232-6062
www.allfasteners.com

PHOENIX SAFETY CLIMB INSTALLATION INSTRUCTIONS

PART NUMBER:

14PHXPMS

ITEM NAME:

PHOENIX MONOPOLE SAFETY CLIMB ASSEMBLY

Users are advised to use this product strictly as intended by the manufacturer. Allfasteners disclaims all liability for any injury or damage resulting from the incorrect installation or use of this product. By using this product, users agree to hold Allfasteners harmless against any such claims.

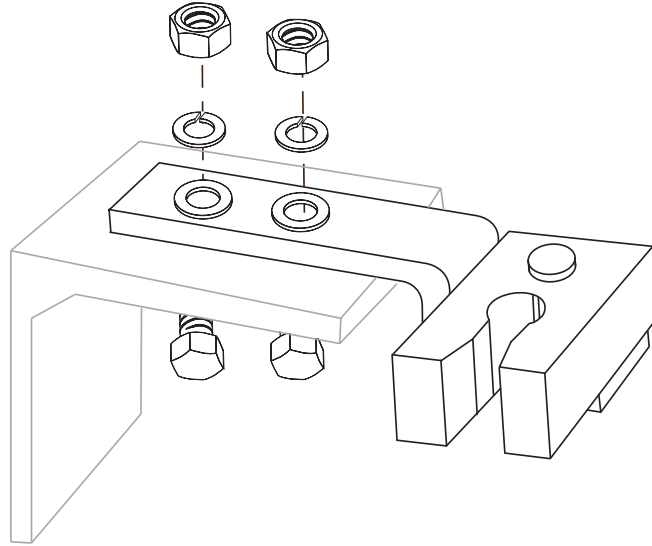
DATE: 3/19/2024

PAGE: 9

PREP BY: AF

INSTALLATION INSTRUCTIONS

INTERMEDIATE BRACKETS



1. Place Intermediate Bracket (14AFLMIB01-U) atop the standoff tab.
2. Thread one (1) 3/8" Hex Cap Screw (2HCSG38114) through the Bracket (14AFL-MIB01-U) and tab.
3. Thread on one (1) 3/8" USS Flat Washer (2USSG038), 3/8" Split Lock Washer (2MSLG038) and 3/8" Hex Nut (2HHNG3816G2H).
4. Repeat steps 2 & 3 for second hole.
5. Feed Wire Rope Assembly (14CA) through 3/8" Cable Guide (13CGBLACK).
6. Install lock pins on cable guides where necessary to prevent the cable from being removed. In cases where the climbing path is clear, lock pins on cable guides are generally unnecessary.

IMPORTANT NOTES

Intermediate Brackets must be installed every 25ft or less, alternating the opening direction of the bracket from left to right along the tower.

Adhere to the tower owners' and carriers' guidelines for cable routing around or through existing fixtures or obstructions.

Employ extra cable guides and secure with locking pins as necessary near obstructions or mounts to prevent the cable from touching them.

Improper restraint or contact with the structure or mounts could damage the wire rope.

ALLFASTENERS 

959 LAKE ROAD MEDINA, OHIO 44256
P (440) 232-6060 F (440) 232-6062
www.allfasteners.com

PHOENIX SAFETY CLIMB INSTALLATION INSTRUCTIONS

| | |
|--------------|--|
| PART NUMBER: | 14PHXPMSC |
| ITEM NAME: | PHOENIX MONOPOLE SAFETY CLIMB ASSEMBLY |

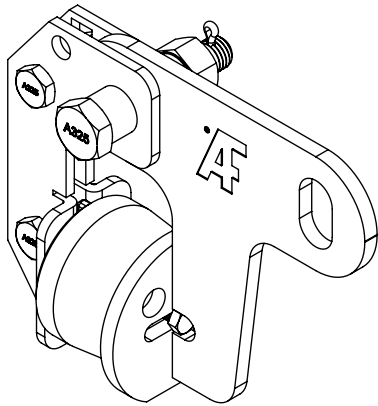
Users are advised to use this product strictly as intended by the manufacturer. Allfasteners disclaims all liability for any injury or damage resulting from the incorrect installation or use of this product. By using this product, users agree to hold Allfasteners harmless against any such claims.

PHOENIX SAFETY CLIMB INSTALLATION INSTRUCTIONS

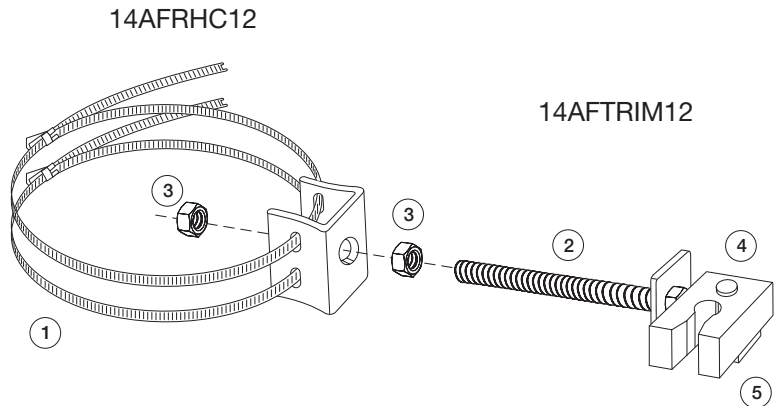
ROUND LEG ASSEMBLY

Users are advised to use this product strictly as intended by the manufacturer. Allfasteners disclaims all liability for any injury or damage resulting from the incorrect installation or use of this product. By using this product, users agree to hold Allfasteners harmless against any such claims.

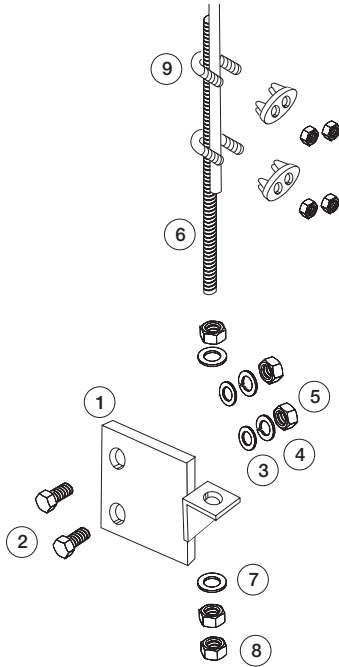
PARTS LIST



14PHXHB - Phoenix Head Bracket Kit
(1)



14AFRHC12 & 14AFTRIM12 - Round Leg Intermediate Cable Guide w/ Hardware
(1) Every 25ft



14AFPMJHB01 - Bottom Bracket w/ Hardware
(1)

| PART # | DESCRIPTION |
|--------------------|--|
| ① 14QRCSS188200400 | Quick Release Clamp Stainless Steel |
| ② 2TSG12600 | 1/2-13 x 6" Threaded Stud LC Galv. |
| ③ 2HHNG1213G2H | 1/2-13 Heavy Hex Nut A194 Gr 2H Galv |
| ④ 4ABHR038134 | 3/8 x 1-3/4 Brazier Head Alum Rivets 1100F |
| ⑤ 13CGBLACK | Cable Guide for 3/8 Cable Black EPDM |

| PART # | DESCRIPTION |
|------------------|--|
| ① 14AFPMJHB01-U | Bottom Tensioner Bracket Galv. |
| ② 2STBG12134A325 | 1/2-13x1-3/4" Struc. Hex Bolt A325 Galv. |
| ③ 2WRWG012 | 1/2" Struc. Flat Washer F436 Galv. |
| ④ 2MSLG12 | 1/2" Medium Split Lock Washer Galv. |
| ⑤ 2HHNG1213G2H | 1/2-13 Heavy Hex Nut A194 Gr 2H Galv. |
| ⑥ 2TSG381000 | 3/8-16x10" Threaded Stud LC Galv. |
| ⑦ 2USSG038 | 3/8" USS Flat Washer Galv. |
| ⑧ 2HHNG3816G2H | 3/8-16 Heavy Hex Nut A194 Gr 2H Galv. |
| ⑨ 6WRCDF038 | 3/8" Wire Rope Clip Drop-Forged Galv. |

ALLFASTENERS 

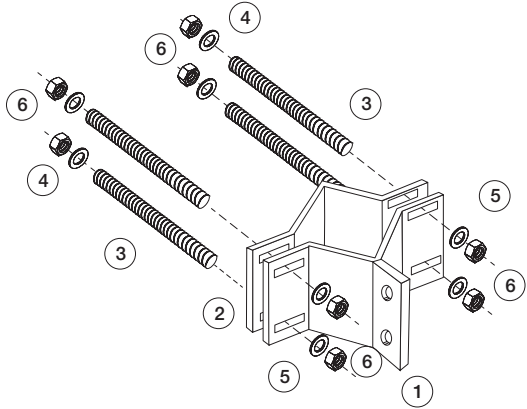
959 LAKE ROAD MEDINA, OHIO 44256
P (440) 232-6060 F (440) 232-6062
www.allfasteners.com

PHOENIX SAFETY CLIMB INSTALLATION INSTRUCTIONS

| | |
|--------------|---|
| PART NUMBER: | 14PHXRCL |
| ITEM NAME: | PHOENIX ROUND LEG SAFETY CLIMB ASSEMBLY |

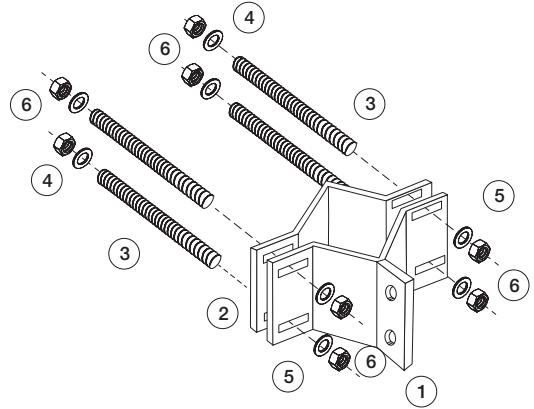
Users are advised to use this product strictly as intended by the manufacturer. Allfasteners disclaims all liability for any injury or damage resulting from the incorrect installation or use of this product. By using this product, users agree to hold Allfasteners harmless against any such claims.

PARTS LIST



14PHXAFVB1 - Round Leg Safety Climb Top Bracket Top Galvanized with Hardware
(1)

| | PART # | DESCRIPTION |
|---|---------------|---|
| ① | 14PHXAFVB1-UA | VB1 Weldment Bracket Unassembled Galv. |
| ② | 14PHXAFVB1-UB | 2" to 4" Round Leg SC Backing Plate Galv. |
| ③ | 2TSG58700 | 5/8-11 x 7" Threaded Stud Galv. |
| ④ | 2WRWG058 | 5/8" Struc. Flat Washer F436 Galv. |
| ⑤ | 2MSLG58 | 5/8" Medium Split Lock Washer Galv. |
| ⑥ | 2HHNG5811G2H | 5/8-11" Heavy Hex Nut A194 Gr 2H Galv. |



14PHXAFVB2 - Round Leg Safety Climb Bottom Bracket Galvanized with Hardware
(1)

| | PART # | DESCRIPTION |
|---|---------------|---|
| ① | 14PHXAFVB2-UA | VB2 Weldment Bracket Unassembled Galv. |
| ② | 14PHXAFVB2-UB | 4" to 8" Round Leg SC Backing Plate Galv. |
| ③ | 2TSG581110 | 5/8-11 x 10" Threaded Stud Galv. |
| ④ | 2WRWG058 | 5/8" Struc. Flat Washer F436 Galv. |
| ⑤ | 2MSLG58 | 5/8" Medium Split Lock Washer Galv. |
| ⑥ | 2HHNG5811G2H | 5/8-11" Heavy Hex Nut A194 Gr 2H Galv. |



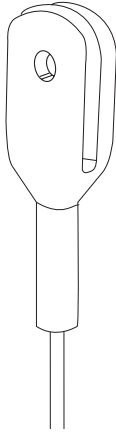
959 LAKE ROAD MEDINA, OHIO 44256
P (440) 232-6060 F (440) 232-6062
www.allfasteners.com

PHOENIX SAFETY CLIMB INSTALLATION INSTRUCTIONS

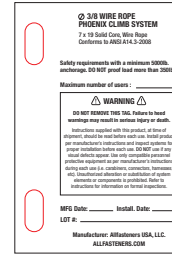
| | |
|--------------|---|
| PART NUMBER: | 14PHXRCL |
| ITEM NAME: | PHOENIX ROUND LEG SAFETY CLIMB ASSEMBLY |

Users are advised to use this product strictly as intended by the manufacturer. Allfasteners disclaims all liability for any injury or damage resulting from the incorrect installation or use of this product. By using this product, users agree to hold Allfasteners harmless against any such claims.

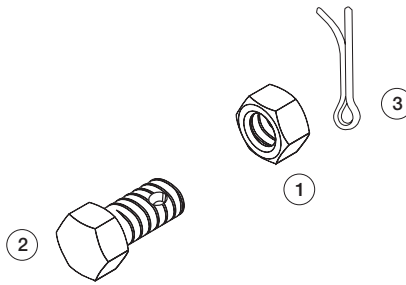
PARTS LIST



**14CA - 3/8 Aircraft Cable
7x19 Wire Rope Assembly
(X)ft**



**6AL36020 - Aluminum Tag
(1)**



**Safety Bolt Assembly
(1)**

| | PART # | DESCRIPTION |
|---|------------------|---|
| ① | 2FHNS25811 | 5/8-11 Finish Hex Nut Gr 304 SS |
| ② | 2HCSS258212-HOLE | 5/8-11 x 2-1/2" Hex Cap Screw Gr 18.8 SS with 1/8" Hole |
| ③ | 6CPS2018114 | 1/8x1-1/4" Cotter Pin Gr 304 SS |

ALLFASTENERS 
959 LAKE ROAD MEDINA, OHIO 44256
P (440) 232-6060 F (440) 232-6062
www.allfasteners.com

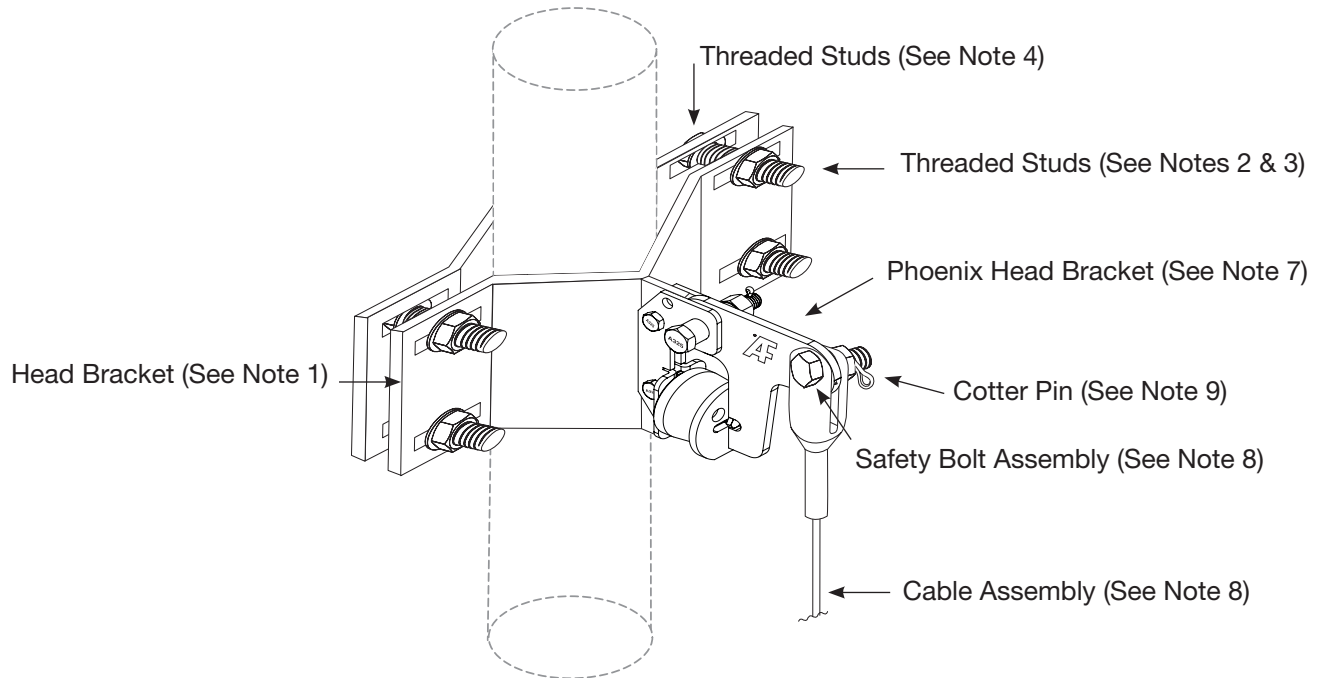
PHOENIX SAFETY CLIMB INSTALLATION INSTRUCTIONS

| | |
|--------------|---|
| PART NUMBER: | 14PHXRCL |
| ITEM NAME: | PHOENIX ROUND LEG SAFETY CLIMB ASSEMBLY |

Users are advised to use this product strictly as intended by the manufacturer. Allfasteners disclaims all liability for any injury or damage resulting from the incorrect installation or use of this product. By using this product, users agree to hold Allfasteners harmless against any such claims.

INSTALLATION INSTRUCTIONS

HEAD BRACKET & PHOENIX HEAD BRACKET



ATTACHING 14PHXAFVB1 HEAD BRACKET TO STRUCTURE

1. Attach 14PHXAFVB1 Head Bracket to tower leg by placing 14PHXAFVB1-UA & 14PHXAFVB1-UB around the structure, as seen above.
2. Feed four (4) Thread Studs (2TSG58700) through the corresponding holes in 14PHXAFVB1-UA through to 14PHXAFVB1-UB to stabilize the bracket.
3. Fasten the threaded studs by using 5/8" flat washer (2WRWG058), 5/8" Split Lock Washer (2MSLG58), and 5/8" Heavy Hex Nut (2HHNG5811G2H) onto the threaded stud protruding out of 14PHXAFVB1-UA.
4. Fastening the same threaded stud, fasten using 5/8" flat washer (2WRWG058), 5/8" Split Lock Washer (2MSLG58), and 5/8" Heavy Hex Nut (2HHNG5811G2H) onto the threaded stud protruding out of 14PHXAFVB1-UB.
5. Repeat steps 3 & 4 for the remaining threaded studs.
6. Tension nuts on each side of 14PHXAFVB1 Head Bracket to proper tension.

ATTACHING 14PHXHB PHOENIX HEAD BRACKET TO 14PHXAFVB1 HEAD BRACKET

7. Attach 14PHXHB Phoenix Head Bracket to existing tab on 14PHXAFVB1 VB1 Head Bracket using 14PHXHB hardware.
8. Connect swaged yoke end of cable assembly to Phoenix Head Bracket using Safety Bolt Assembly.
9. Ensure Cotter Pin is installed & bent to prevent loosening of nut.

ALLFASTENERS 

959 LAKE ROAD MEDINA, OHIO 44256
P (440) 232-6060 F (440) 232-6062
www.allfasteners.com

PHOENIX SAFETY CLIMB INSTALLATION INSTRUCTIONS

| | |
|--------------|---|
| PART NUMBER: | 14PHXRCL |
| ITEM NAME: | PHOENIX ROUND LEG SAFETY CLIMB ASSEMBLY |

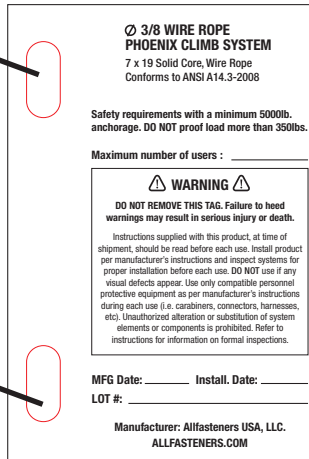
Users are advised to use this product strictly as intended by the manufacturer. Allfasteners disclaims all liability for any injury or damage resulting from the incorrect installation or use of this product. By using this product, users agree to hold Allfasteners harmless against any such claims.

INSTALLATION INSTRUCTIONS

ALUMINUM TAG

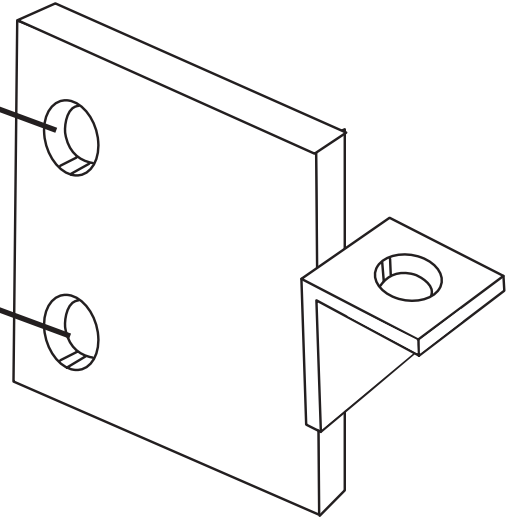
Mount to bottom
bracket.

Mount to bottom
bracket.



Mount here.

Mount here.



1. Mount Aluminum Tag (6AL36020) to Bottom Bracket (14AFPMJHB01) by using 1/2" Structural Bolts (2STBG12134A325).
2. Align holes on Aluminum Tag *6AL36020) with the holes on Bottom Bracket (14AFPMJHB01).
3. Thread one (1) 1/2" Structural Bolt (2STBG12134A325) through each hole and tighten with one (1) 1/2" Flat Washers (2WRWG012), 1/2" Split Lock Washer (2MSLG12), and 1/2" Heavy Hex Nut (2HHNG1213G2H) on the opposite side of the bracket.
4. Stamp on install date in corresponding locations on the tag.

ALLFASTENERS 

959 LAKE ROAD MEDINA, OHIO 44256
P (440) 232-6060 F (440) 232-6062
www.allfasteners.com

PHOENIX SAFETY CLIMB INSTALLATION INSTRUCTIONS

PART NUMBER:

14PHXRCL

ITEM NAME:

PHOENIX ROUND LEG SAFETY CLIMB ASSEMBLY

Users are advised to use this product strictly as intended by the manufacturer. Allfasteners disclaims all liability for any injury or damage resulting from the incorrect installation or use of this product. By using this product, users agree to hold Allfasteners harmless against any such claims.

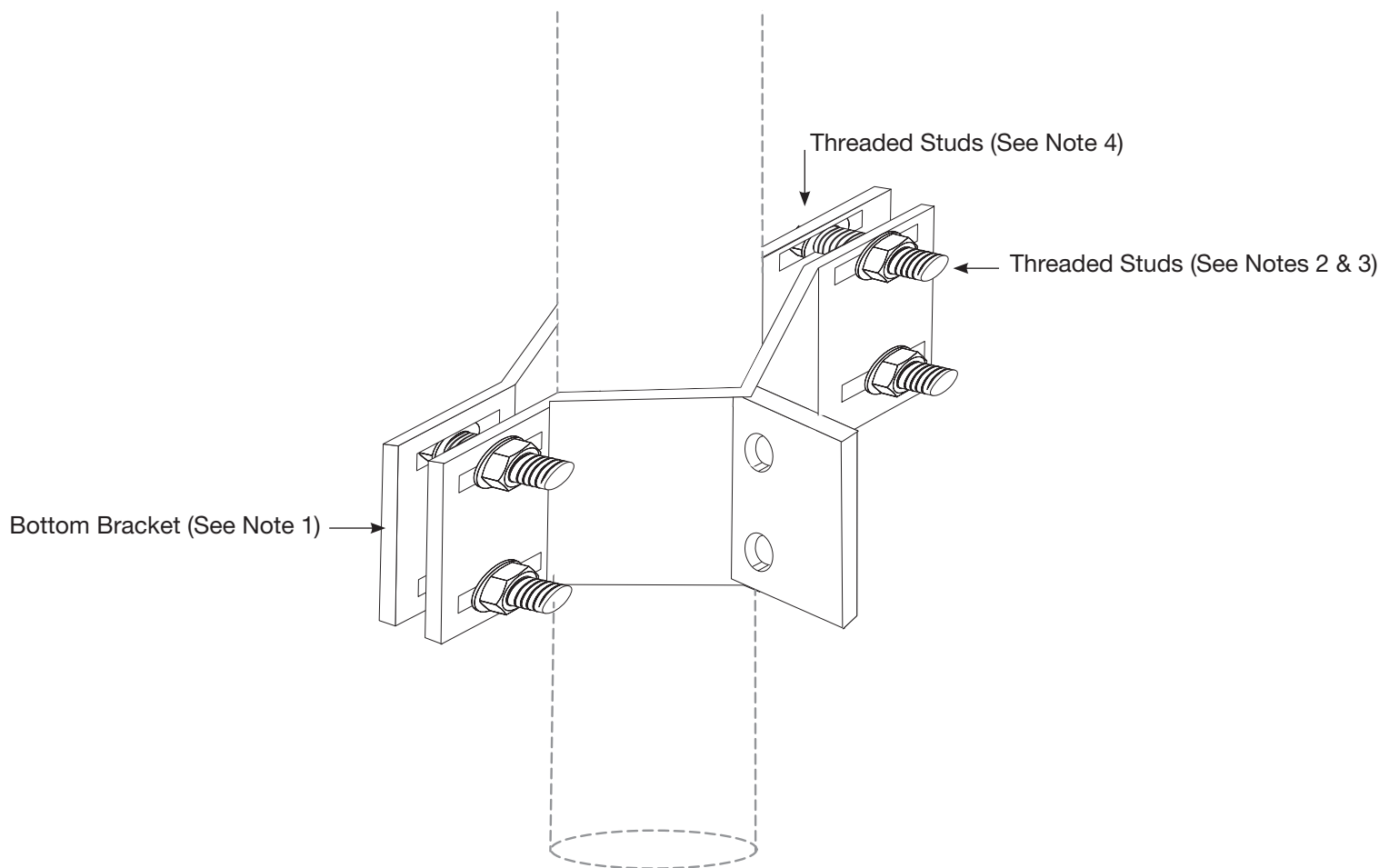
DATE: 3/19/2024

PAGE: 16

PREP BY: AF

INSTALLATION INSTRUCTIONS

BOTTOM BRACKET



1. Attach 14PHXAFVB2 Bottom Bracket to tower leg by placing 14PHXAFVB2-UA & 14PHXAFVB2-UB around the structure, as seen above.
2. Feed four (4) Thread Studs (2TSG581110) through the corresponding holes in 14PHXAFVB2-UA through to 14PHXAFVB2-UB to stabilize the bracket.
3. Fasten the threaded studs by using 5/8" flat washer (2WRWG058), 5/8" Split Lock Washer (2MSLG58), and 5/8" Heavy Hex Nut (2HHNG5811G2H) onto the threaded stud protruding out of 14PHXAFVB2-UA.
4. Fastening the same threaded stud, fasten using 5/8" flat washer (2WRWG058), 5/8" Split Lock Washer (2MSLG58), and 5/8" Heavy Hex Nut (2HHNG5811G2H) onto the threaded stud protruding out of 14PHXAFVB2-UB.
5. Repeat steps 3 & 4 for the remaining threaded studs.
6. Tension nuts on each side of 14PHXAFVB2 Head Bracket to proper tension.

ALLFASTENERS 

959 LAKE ROAD MEDINA, OHIO 44256
P (440) 232-6060 F (440) 232-6062
www.allfasteners.com

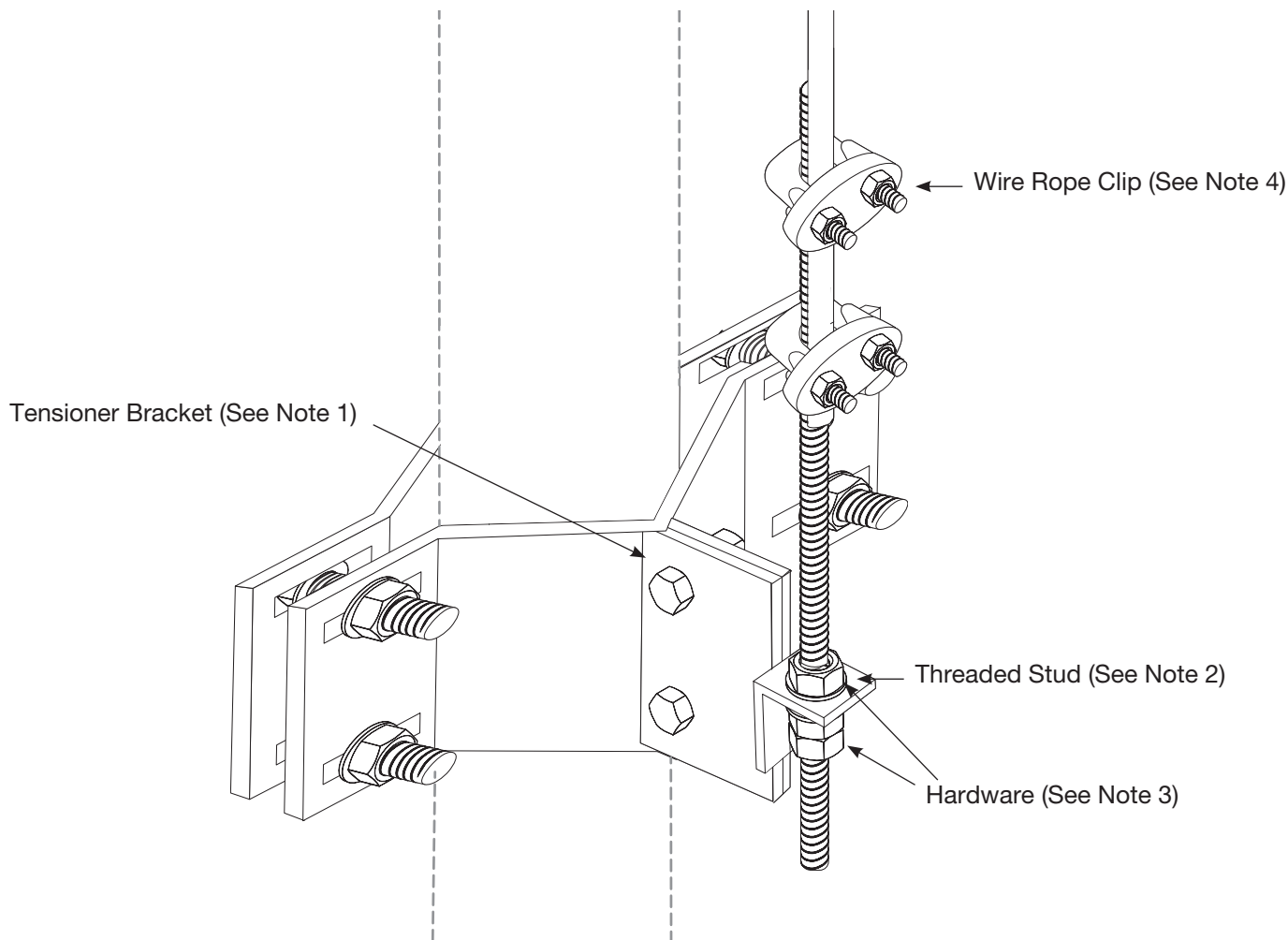
PHOENIX SAFETY CLIMB INSTALLATION INSTRUCTIONS

| | |
|--------------|---|
| PART NUMBER: | 14PHXRCL |
| ITEM NAME: | PHOENIX ROUND LEG SAFETY CLIMB ASSEMBLY |

Users are advised to use this product strictly as intended by the manufacturer. Allfasteners disclaims all liability for any injury or damage resulting from the incorrect installation or use of this product. By using this product, users agree to hold Allfasteners harmless against any such claims.

INSTALLATION INSTRUCTIONS

BOTTOM BRACKET



1. Bolt Bottom Tensioner Bracket (14AFPMJHB01-U) to existing tab on 14PHXAFVB2 using 1/2" Structural Bolts (2STBG12134A325), 1/2" Structural Flat Washers (2WRWG012), 1/2" Split Lock Washer (2MSLG12), and 1/2 Heavy Hex Nut (2HHNG1213G2H).
2. Insert the 3/8" Threaded Stud (2TSG381000) through the hole on the tab extension of the Bottom Tensioner Bracket (14AFPMJHB01-U).
3. Thread one (1) 3/8" USS Flat Washer (2USSG038) and one (1) 3/8" Hex Nut (2HHNG3816G2H) from the top of the threaded rod, and one (1) 3/8" USS Flat Washer (2USSG038) and two (2) 3/8" Hex Nuts (2HHNG3816G2H) from the bottom. Do not over tension the nuts before ensuring wire rope is snug tight. See next page for more details.
4. Attach the 14CA Wire Rope Assembly to the threaded rod using two (2) Wire Rope Clips (6WRCDF038) - alternating tensions between the two clips to ensure proper installation.

ALLFASTENERS 

959 LAKE ROAD MEDINA, OHIO 44256
P (440) 232-6060 F (440) 232-6062
www.allfasteners.com

PHOENIX SAFETY CLIMB INSTALLATION INSTRUCTIONS

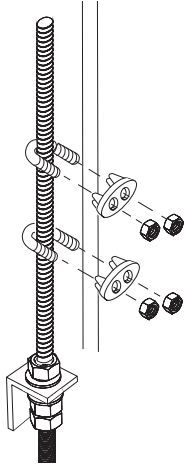
| | |
|--------------|---|
| PART NUMBER: | 14PHXRCL |
| ITEM NAME: | PHOENIX ROUND LEG SAFETY CLIMB ASSEMBLY |

Users are advised to use this product strictly as intended by the manufacturer. Allfasteners disclaims all liability for any injury or damage resulting from the incorrect installation or use of this product. By using this product, users agree to hold Allfasteners harmless against any such claims.

INSTALLATION INSTRUCTIONS

BOTTOM BRACKET

CABLE ASSEMBLY TO BE PRE-TENSIONED SNUG TIGHT TO PROTECT THE USER IN CASE OF A FALL EVENT, AND TO ENSURE NO DAMAGE TO THE CABLE.



1. Pull the cable snug tight (as tight as possible) before installing the wire rope clips.
2. Tighten all nuts until proper tension is achieved.
3. Cut excess cable, and install cold shrink sleeve to base of wire rope assembly.

COLD SHRINK SLEEVE

The cold shrink sleeve is a REQUIREMENT FOR ALL SAFETY CLIMB SYSTEMS.

The sleeve is designed to provide a covered end to the bottom of the wire rope assembly - leaving no exposed wire.

Fits all Allfasteners Safety Climb Systems & Wire Rope Assemblies.

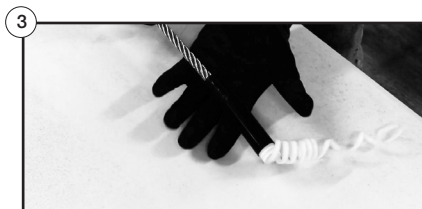
*Please note that inserting the wire rope into the wrong end of the cold shrink sleeve will result in improper installation, causing loose or frayed ends to remain exposed.



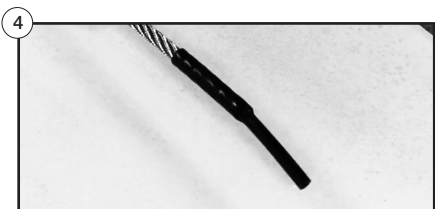
1. With the Safety Climb Assembly properly installed according to the instructions in this booklet, cut the wire rope roughly 6-10 inches below the bottom bracket.



2. Place the wire rope into the cold shrink sleeve at the end opposite the "pull direction" sticker.



3. Pull the sleeve's interior wire away from the wire rope. This will initiate the sleeve wrapping. If sleeve is not wrapping, ensure the wire rope is inserted into the correct end of the sleeve.



4. Continue to pull the line until the entire sleeve has covered the end of the wire.

ALLFASTENERS 

959 LAKE ROAD MEDINA, OHIO 44256
P (440) 232-6060 F (440) 232-6062
www.allfasteners.com

PHOENIX SAFETY CLIMB INSTALLATION INSTRUCTIONS

PART NUMBER:

14PHXRCL

ITEM NAME:

PHOENIX ROUND LEG SAFETY CLIMB ASSEMBLY

Users are advised to use this product strictly as intended by the manufacturer. Allfasteners disclaims all liability for any injury or damage resulting from the incorrect installation or use of this product. By using this product, users agree to hold Allfasteners harmless against any such claims.

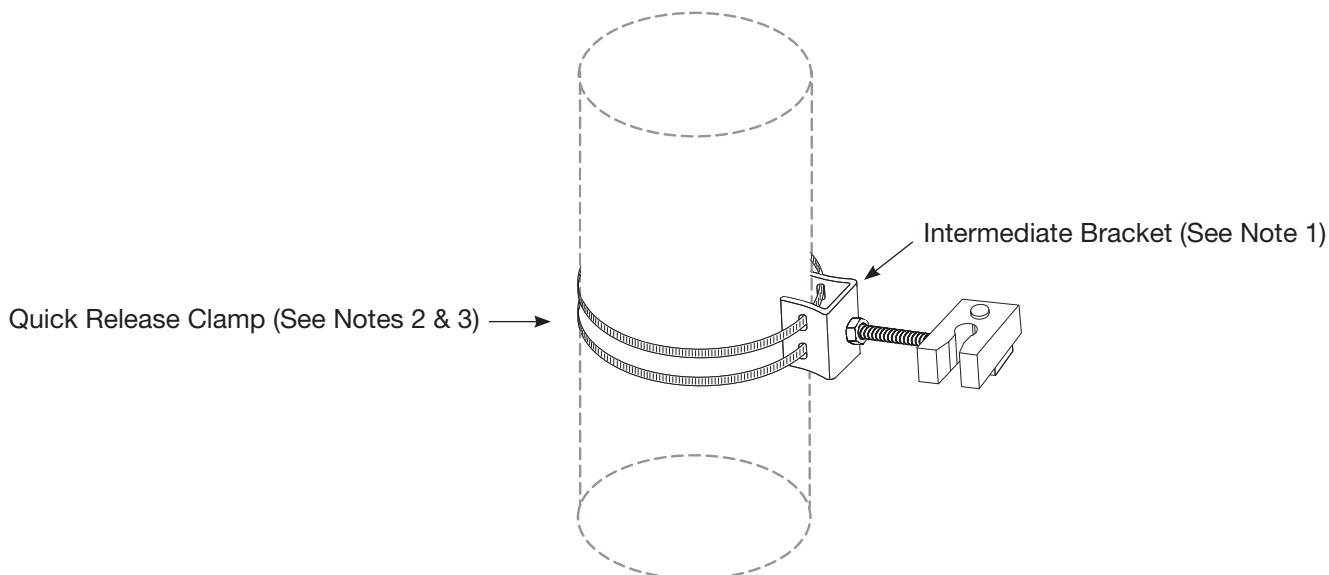
DATE: 3/19/2024

PAGE: 19

PREP BY: AF

INSTALLATION INSTRUCTIONS

INTERMEDIATE BRACKETS



1. Attached 14AFTRIM12 to 14AFRHC12 by feeding Threaded Stud (2TSG12600) through bracket attached to Quick Release Clamp (14QRCSS188200400) - using one (1) 1/2" Heavy Hex Nut (2HHNG1213G2H) on each side of the bracket. Apply proper tension.
2. Wrap assembled Quick Release Clamp (14QRCSS188200400) around tower structure.
3. Tighten fastener on Quick Release Clamp (14QRCSS188200400) until fastened tight around the structure.
4. Feed Wire Rope Assembly (14CA) through 3/8" Cable Guide (13CGBLACK).
5. Install lock pins on cable guides where necessary to prevent the cable from being removed. In cases where the climbing path is clear, lock pins on cable guides are generally unnecessary.

IMPORTANT NOTES

Intermediate Brackets must be installed every 25ft or less, alternating the opening direction of the bracket from left to right along the tower.

Adhere to the tower owners' and carriers' guidelines for cable routing around or through existing fixtures or obstructions.

Employ extra cable guides and secure with locking pins as necessary near obstructions or mounts to prevent the cable from touching them.

Improper restraint or contact with the structure or mounts could damage the wire rope.

ALLFASTENERS 

959 LAKE ROAD MEDINA, OHIO 44256
P (440) 232-6060 F (440) 232-6062
www.allfasteners.com

PHOENIX SAFETY CLIMB INSTALLATION INSTRUCTIONS

| | |
|--------------|---|
| PART NUMBER: | 14PHXRCL |
| ITEM NAME: | PHOENIX ROUND LEG SAFETY CLIMB ASSEMBLY |

Users are advised to use this product strictly as intended by the manufacturer. Allfasteners disclaims all liability for any injury or damage resulting from the incorrect installation or use of this product. By using this product, users agree to hold Allfasteners harmless against any such claims.

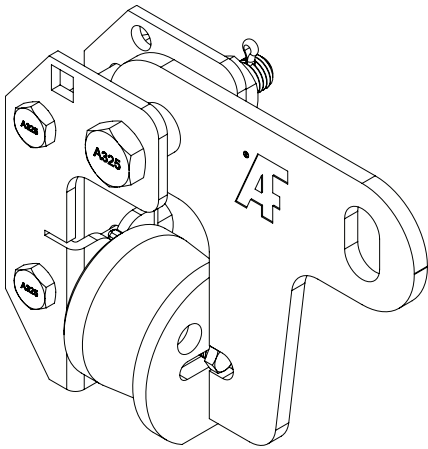


PHOENIX SAFETY CLIMB INSTALLATION INSTRUCTIONS

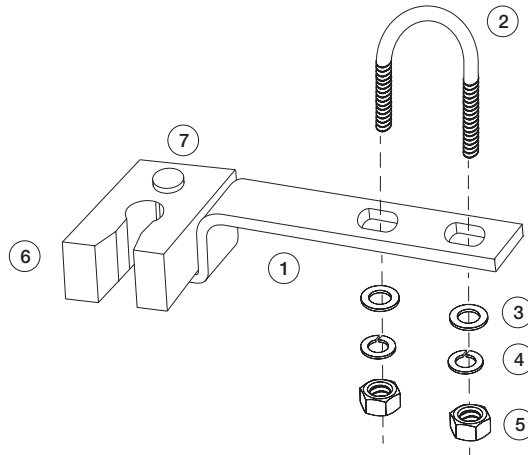
LADDER MOUNT ASSEMBLY

Users are advised to use this product strictly as intended by the manufacturer. Allfasteners disclaims all liability for any injury or damage resulting from the incorrect installation or use of this product. By using this product, users agree to hold Allfasteners harmless against any such claims.

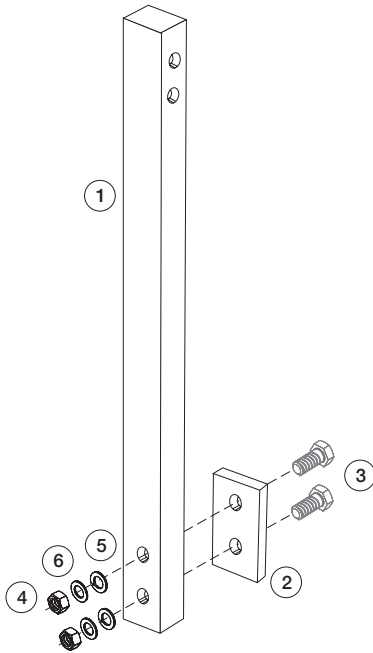
PARTS LIST



**14PHXHB - Phoenix
Head Bracket Kit
(1)**



**14PHXAFLMIB01 - Intermediate Cable
Guide w/ Hardware
(1) Every 25ft**



**14PHXLMHB01-60 - Head
Bracket w/ Hardware
(1)**

| PART # | DESCRIPTION |
|----------------|---|
| ① 14AFLMIB01-U | 3/16" Bent Bracket, A36, Galv. |
| ② 6UBG-RU2 | 3/8-16 x 2 x 1-1/8 BL U-Bolt Galv. |
| ③ 2USSG038 | 3/8" USS Galv. |
| ④ 2MSLG38 | 3/8" Medium Split Lock Washer Galv. |
| ⑤ 2HHNG3816G2H | 3/8-16 Heavy Hex Nut A194 Gr 2H Galv. |
| ⑥ 13CGBLACK | Cable Guide for 3/8" Cable Black EPDM |
| ⑦ 4ABHR038134 | 3/8 x 1-3/4 Brazier Head Alum. Rivets 1100F |

| PART # | DESCRIPTION |
|--------------------|---|
| ① 14PHXLMHB01-60-U | Ladder Mount Head Bracket 60" Galv. |
| ② 14LMHBPP-U | Ladder Mount Head Bracket Backing Plate |
| ③ 2HTBG38412G5 | 3/8-16 x 4-1/2 HTB, FT, Gr 5 Galv. |
| ④ 2HHNG3816G2H | 3/8-16 Heavy Hex Nut A194 Gr 2H Galv. |
| ⑤ 2MSLG38 | 3/8" Medium Split Lock Washer Galv. |
| ⑥ 2USSG038 | 3/8" USS Galv. |
| ⑦ 2STBG12312A325 | 1/2-13 x 3-1/2 Struc. Hex Bolt A325 Galv. |
| ⑧ 2HHNG1213G2H | 1/2-13 Heavy Hex Nut A194 Gr 2H Galv. |

Note: Items 7 & 8 are loose & included for Phoenix Head Bracket alignment.

ALLFASTENERS 

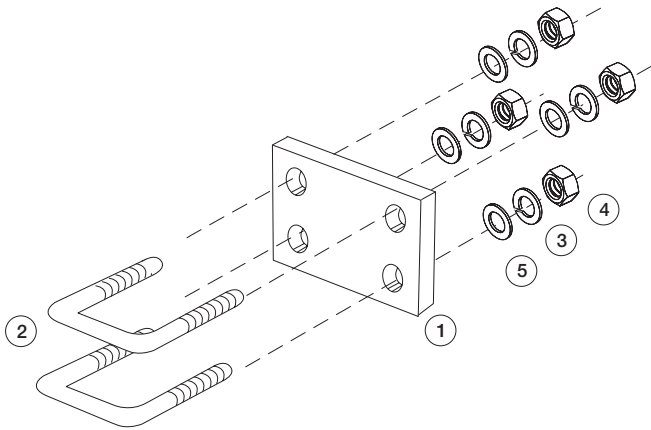
959 LAKE ROAD MEDINA, OHIO 44256
P (440) 232-6060 F (440) 232-6062
www.allfasteners.com

PHOENIX SAFETY CLIMB INSTALLATION INSTRUCTIONS

| | |
|--------------|--|
| PART NUMBER: | 14PHXLMSC |
| ITEM NAME: | PHOENIX LADDER MOUNT SAFETY CLIMB ASSEMBLY |

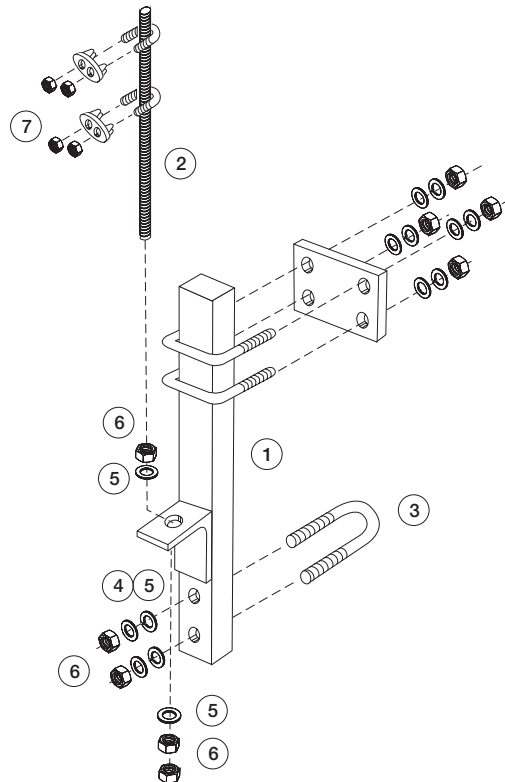
Users are advised to use this product strictly as intended by the manufacturer. Allfasteners disclaims all liability for any injury or damage resulting from the incorrect installation or use of this product. By using this product, users agree to hold Allfasteners harmless against any such claims.

PARTS LIST



**14AFLMKTB01 - Backing Plate
Galvanized with Hardware
(3)**

| | PART # | DESCRIPTION |
|---|---------------|--|
| ① | 14AFLMKTB01-U | Ladder Mount Head Bracket Backing Plate |
| ② | 6UBG218 | 1/2-13 x 5 x 2-1/8 BL x 2" Thd Sq Bnd U-Bolt Galv. |
| ③ | 2MSLG12 | 1/2" Medium Split Lock Washer Galv. |
| ④ | 2HHNG1213G2H | 1/2-13 Heavy Hex Nut A194 Gr 2H Galv. |
| ⑤ | 2WRWG012 | 1/2" Struc. Flat Washer F436 Galv. |



**14AFLMBB01 - Bottom Tensioner
Bracket for Ladder Mount Galvanized
with Hardware
(1)**

| | PART # | DESCRIPTION |
|---|-----------------|--|
| ① | 14AFLMBB01-U | Bottom Tensioner Bracket for Ladder Mount |
| ② | 2TSG381000 | 3/8-16 x 10" Threaded Stud LC Galv. |
| ③ | 6UBG-38-414-118 | 3/8-16 x 4-1/4 x 1-1/8 U-Bolt Low Carbon Galv. |
| ④ | 2MSLG38 | 3/8" Medium Split Lock Washer Galv. |
| ⑤ | 2USSG038 | 3/8" USS Flat Washer Galv. |
| ⑥ | 2HHNG3816G2H | 3/8-16 Heavy Hex Nut A194 Gr 2H Galv. |
| ⑦ | 6WRCDF038 | 3/8 Wire Rope Clip Drop-Forged Galv. |

ALLFASTENERS 

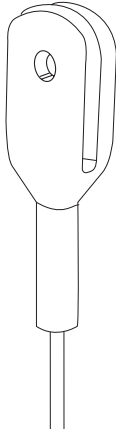
959 LAKE ROAD MEDINA, OHIO 44256
P (440) 232-6060 F (440) 232-6062
www.allfasteners.com

PHOENIX SAFETY CLIMB INSTALLATION INSTRUCTIONS

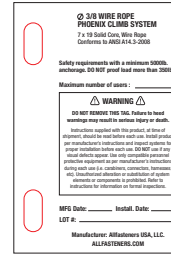
| | |
|--------------|--|
| PART NUMBER: | 14PHXLMSC |
| ITEM NAME: | PHOENIX LADDER MOUNT SAFETY CLIMB ASSEMBLY |

Users are advised to use this product strictly as intended by the manufacturer. Allfasteners disclaims all liability for any injury or damage resulting from the incorrect installation or use of this product. By using this product, users agree to hold Allfasteners harmless against any such claims.

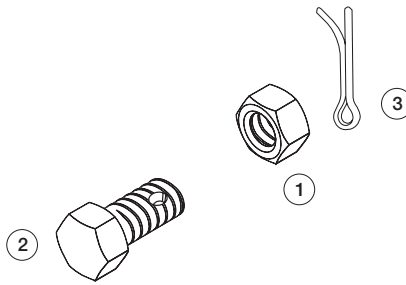
PARTS LIST



**14CA - 3/8 Aircraft Cable
7x19 Wire Rope Assembly
(X)ft**



**6AL36020 - Aluminum Tag
(1)**



**Safety Bolt Assembly
(1)**

| | PART # | DESCRIPTION |
|---|------------------|---|
| ① | 2FHNS25811 | 5/8-11 Finish Hex Nut Gr 304 SS |
| ② | 2HCSS258212-HOLE | 5/8-11 x 2-1/2" Hex Cap Screw Gr 18.8 SS with 1/8" Hole |
| ③ | 6CPS2018114 | 1/8x1-1/4" Cotter Pin Gr 304 SS |



959 LAKE ROAD MEDINA, OHIO 44256
P (440) 232-6060 F (440) 232-6062
www.allfasteners.com

PHOENIX SAFETY CLIMB INSTALLATION INSTRUCTIONS

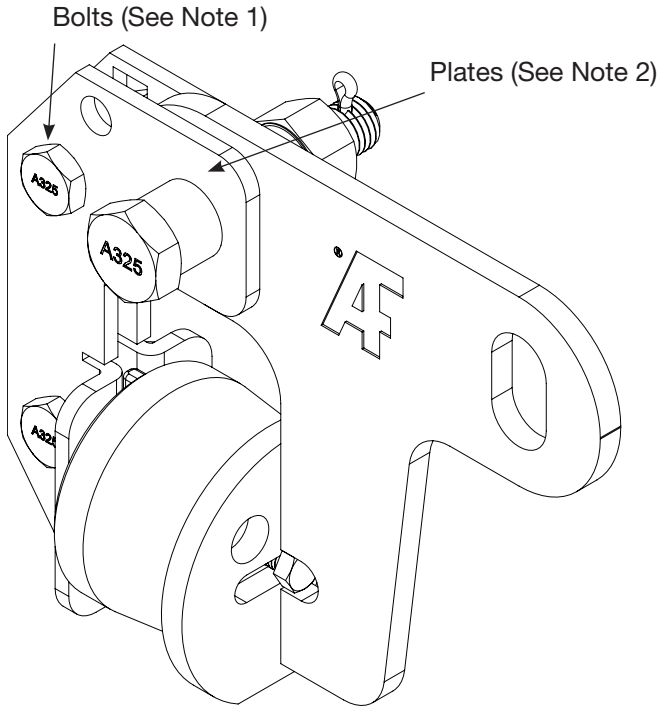
| | |
|--------------|--|
| PART NUMBER: | 14PHXLMSC |
| ITEM NAME: | PHOENIX LADDER MOUNT SAFETY CLIMB ASSEMBLY |

Users are advised to use this product strictly as intended by the manufacturer. Allfasteners disclaims all liability for any injury or damage resulting from the incorrect installation or use of this product. By using this product, users agree to hold Allfasteners harmless against any such claims.

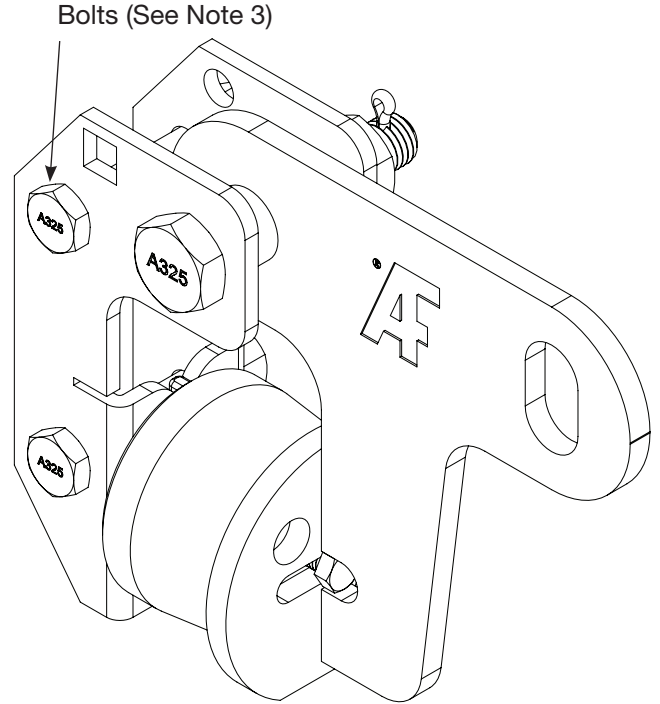
INSTALLATION INSTRUCTIONS

CONFIGURE PHOENIX HEAD BRACKET

NOTE: PHOENIX HEAD BRACKET SHIPS WITH INCORRECT CONFIGURATION FOR LADDER MOUNTS ONLY. PRIOR TO CLIMBING THE TOWER, FOLLOW STEPS BELOW TO CONFIGURE PHOENIX HEAD BRACKET FOR LADDER MOUNT CLIMBS.



INCORRECT



CORRECT

WHILE ON THE GROUND, BEFORE CLIMBING THE TOWER:

1. Remove 1/2" Bolts from 14PHXHB Phoenix Head Bracket.
2. Flip and swap two (2) side plates to position tabs to the interior of the 14PHXHB Phoenix Head Bracket.
3. Using two (2) 1/2" x 3-1/2" Structural Bolts (2STBG12312A325) and 1/2" Heavy Hex Nuts (2HHNG1213G2H) fasten Phoenix Head Bracket (14PHXHB) back together.

ALLFASTENERS 

959 LAKE ROAD MEDINA, OHIO 44256
P (440) 232-6060 F (440) 232-6062
www.allfasteners.com

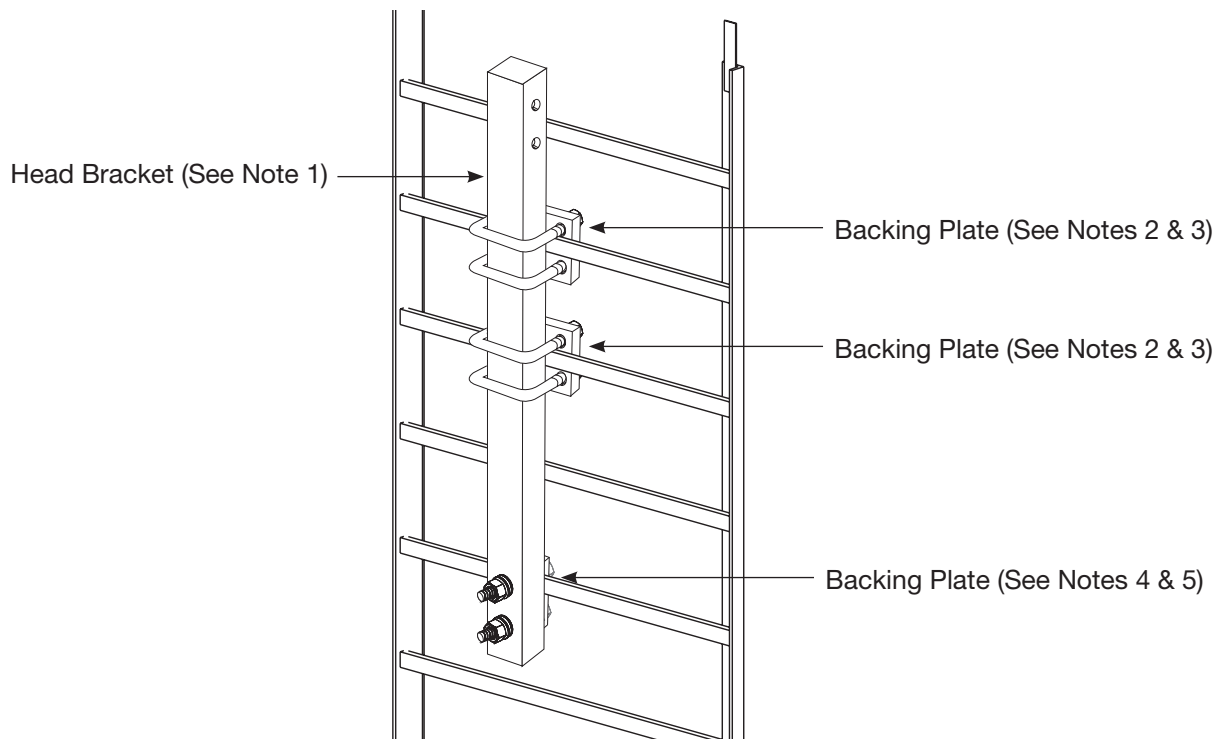
PHOENIX SAFETY CLIMB INSTALLATION INSTRUCTIONS

| | |
|--------------|--|
| PART NUMBER: | 14PHXLMSC |
| ITEM NAME: | PHOENIX LADDER MOUNT SAFETY CLIMB ASSEMBLY |

Users are advised to use this product strictly as intended by the manufacturer. Allfasteners disclaims all liability for any injury or damage resulting from the incorrect installation or use of this product. By using this product, users agree to hold Allfasteners harmless against any such claims.

INSTALLATION INSTRUCTIONS

HEAD BRACKET



ATTACHING 14PHXLMHB01-60 HEAD BRACKET TO LADDER

1. Attach 14PHXLMHB01-60 Head Bracket to the top of the ladder by placing 14PHXLMHB01-60-U Head Bracket against the top rungs of the ladder.
2. Secure Head Bracket (14PHXLMHB01-60-U) to the top rung by fastening one (1) Backing Plate (14AFLMKTB01).
 - a. Place Backing Plate (14AFLMKTB01-U) behind the ladder rung, opposite of Head Bracket (14PHXLMHB01-60-U).
 - b. Take one (1) 1/2" U-Bolt (6UBG218) and place it around Head Bracket (14PHXLMHB01-60-U) through Backing Plate (14AFLMKTB01-U) above the ladder rung.
 - c. Take another one (1) 1/2" U-Bolt (6UBG218) and place it around Head Bracket (14AFLMKTB01-U) through Backing Plate (14AFLMKTB01-U) below the same ladder rung.
 - d. Fasten each 1/2" U-Bolt (6UBG218) with two (2) 1/2" Flat Washer (2WRWG012), two (2) 1/2" Split Lock Washers (2MSLG12), and two (2) 1/2" Heavy Hex Nuts (2HHNG1213G2H).
Tension properly.
3. Repeat steps 2a to 2d with additional Backing Plate (14AFLMKTB01) on next ladder rung below.
4. Place Backing Plate (14LMHBBP-U) to the ladder, opposite of Head Bracket (14PHXLMHB01-60-U).
5. Fasten Backing Plate (14LMHBBP-U) to Head Bracket (14PHXLMHB01-60-U) using 3/8" Hex Tab Bolts (2HTBG38412G5), 3/8" USS Washers (2USSG038), 3/8" Split Lock Washers (2MSLG38), and 3/8" Heavy Hex Nuts (2HHNG3816G2H).

ALLFASTENERS 

959 LAKE ROAD MEDINA, OHIO 44256
P (440) 232-6060 F (440) 232-6062
www.allfasteners.com

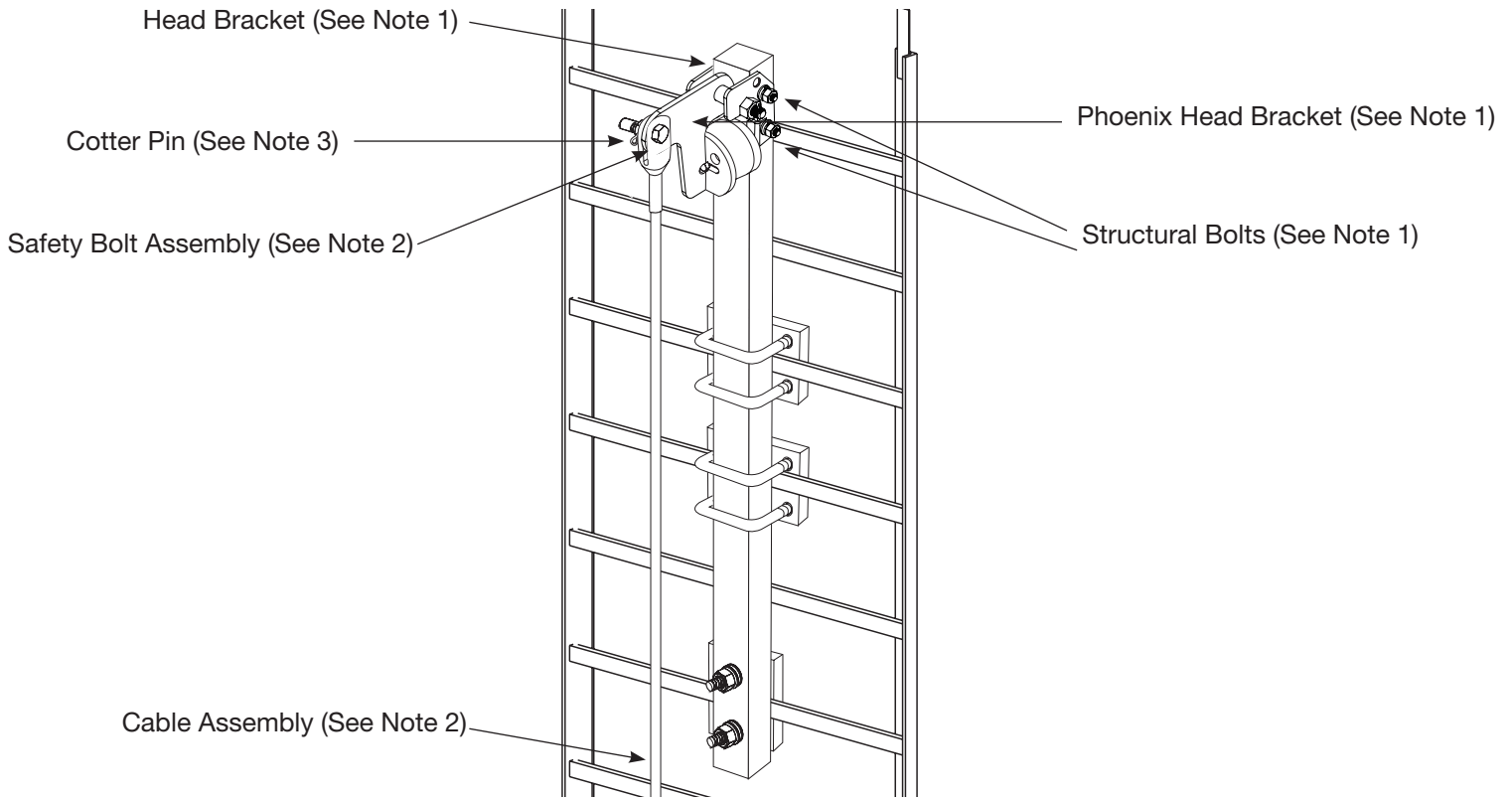
PHOENIX SAFETY CLIMB INSTALLATION INSTRUCTIONS

| | |
|--------------|--|
| PART NUMBER: | 14PHXLMSC |
| ITEM NAME: | PHOENIX LADDER MOUNT SAFETY CLIMB ASSEMBLY |

Users are advised to use this product strictly as intended by the manufacturer. Allfasteners disclaims all liability for any injury or damage resulting from the incorrect installation or use of this product. By using this product, users agree to hold Allfasteners harmless against any such claims.

INSTALLATION INSTRUCTIONS

PHOENIX HEAD BRACKET



ATTACHING 14PHXHB PHOENIX HEAD BRACKET TO 14PHXLMHB01-60 BRACKET

1. Fasten 14PHXHB Phoenix Head Bracket to existing holes on each side of 14PHXLMHB01-60 Head Bracket using 1/2" x 3-1/2" Structural Bolts (2STBG12312A325) and 1/2" Heavy Hex Nuts (2HHNG1213G2H), 1/2" Split Lock Washers, and 1/2" Hex Nuts.
2. Connect swaged yoke end of cable assembly to Phoenix Head Bracket using Safety Bolt Assembly.
3. Ensure Cotter Pin is installed & bent to prevent loosening of nut.

IMPORTANT NOTES

Ensure 14PHXHB Phoenix Head Bracket is in the proper ladder mount configuration as documented on page 22 of this document.

Phoenix Head Bracket will not install properly otherwise.

ALLFASTENERS 

959 LAKE ROAD MEDINA, OHIO 44256
P (440) 232-6060 F (440) 232-6062
www.allfasteners.com

PHOENIX SAFETY CLIMB INSTALLATION INSTRUCTIONS

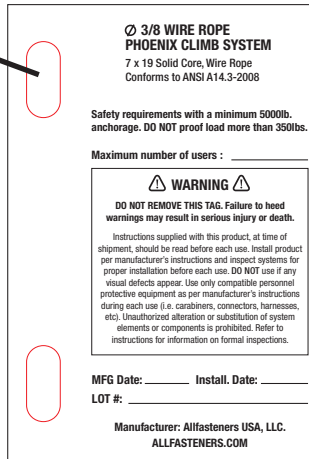
| | |
|--------------|--|
| PART NUMBER: | 14PHXLMSC |
| ITEM NAME: | PHOENIX LADDER MOUNT SAFETY CLIMB ASSEMBLY |

Users are advised to use this product strictly as intended by the manufacturer. Allfasteners disclaims all liability for any injury or damage resulting from the incorrect installation or use of this product. By using this product, users agree to hold Allfasteners harmless against any such claims.

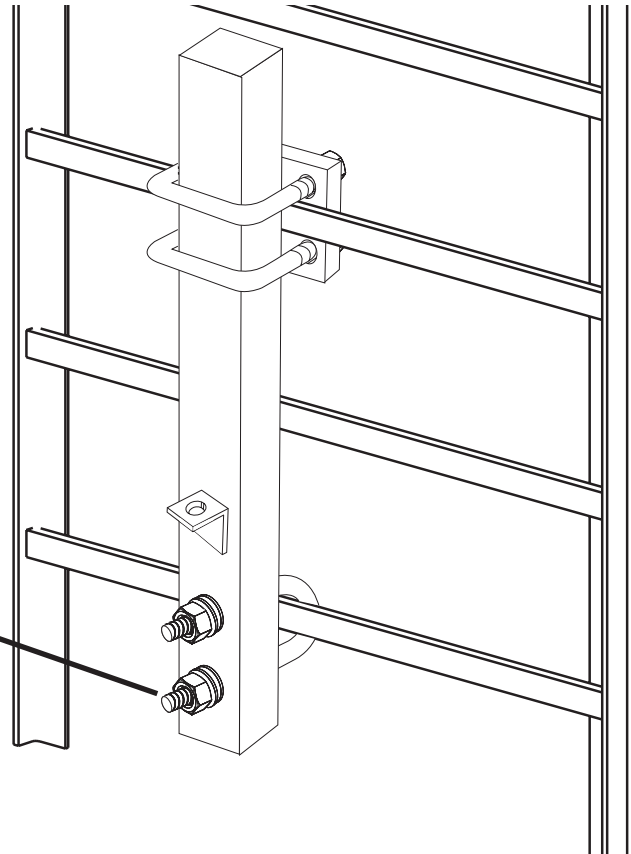
INSTALLATION INSTRUCTIONS

ALUMINUM TAG

Mount to bottom bracket.



Mount here.



1. Mount Aluminum Tag (6AL36020) to Bottom Bracket (14AFLMBB01) by using bottom thread of 3/8" U-Bolt (6UBG-38-414-118).
2. Align the top hole on Aluminum Tag (6AL36020) with the holes on Bottom Bracket (14AFLMBB01).
3. Thread bottom thread of 3/8" U-Bolt (6UBG-38-414-118) through the top hole and tighten with one (1) 3/8" Flat Washers (2USSG038), 3/8" Split Lock Washer (2MSLG38), and 3/8" Heavy Hex Nut (2HHNG3816G2H) on the opposite side of the U-Bolt.
4. Stamp on install date in corresponding locations on the tag.

ALLFASTENERS 

959 LAKE ROAD MEDINA, OHIO 44256
P (440) 232-6060 F (440) 232-6062
www.allfasteners.com

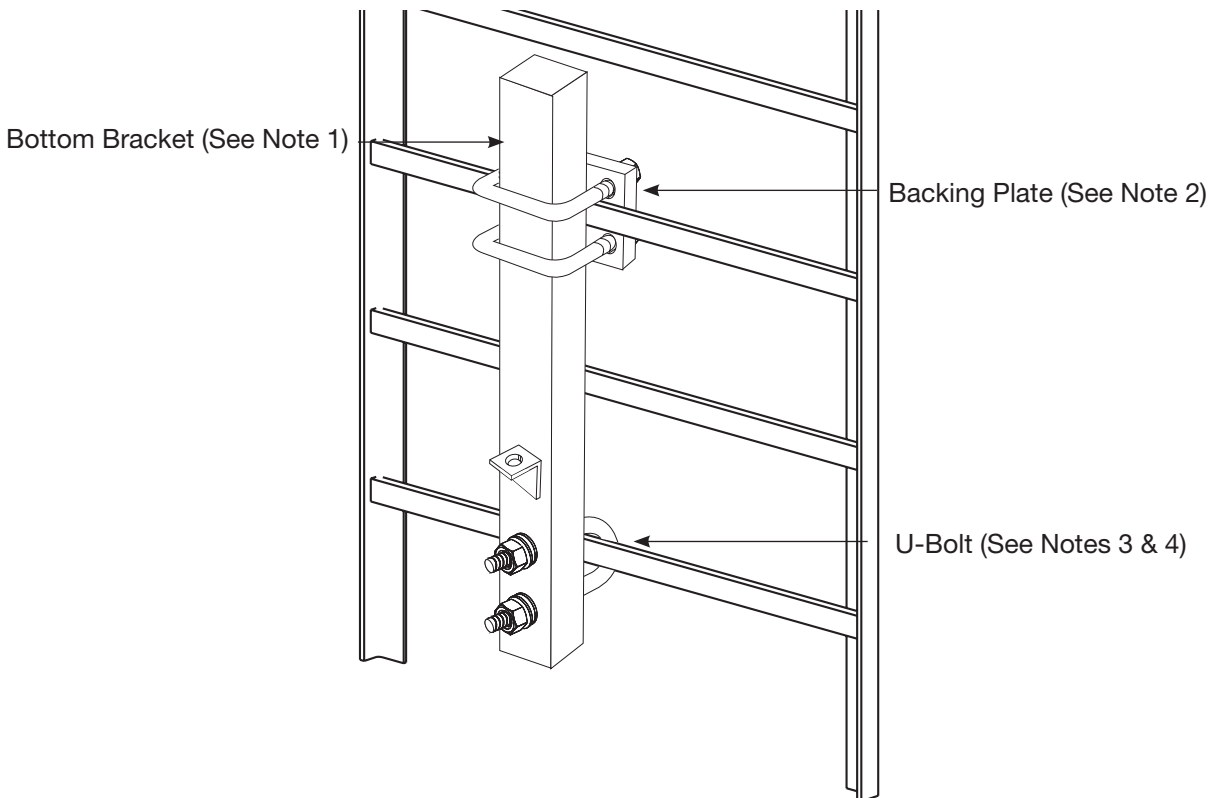
PHOENIX SAFETY CLIMB INSTALLATION INSTRUCTIONS

| | |
|--------------|--|
| PART NUMBER: | 14PHXLMSC |
| ITEM NAME: | PHOENIX LADDER MOUNT SAFETY CLIMB ASSEMBLY |

Users are advised to use this product strictly as intended by the manufacturer. Allfasteners disclaims all liability for any injury or damage resulting from the incorrect installation or use of this product. By using this product, users agree to hold Allfasteners harmless against any such claims.

INSTALLATION INSTRUCTIONS

BOTTOM BRACKET



ATTACHING 14AFLMBB01 BOTTOM BRACKET TO LADDER

1. Attach 14AFLMBB01 Bottom Bracket to the bottom of the ladder by placing 14AFLMBB01-U Bottom Bracket against the lower rungs of the ladder.
2. Secure Bottom Bracket (14AFLMBB01-U) to the lower rungs by fastening one (1) Backing Plate (14AFLMKTB01).
 - a. Place Backing Plate (14AFLMKTB01-U) behind the ladder rung, opposite of Bottom Bracket (14AFLMBB01-U).
 - b. Take one (1) 1/2" U-Bolt (6UBG218) and place it around Bottom Bracket (14AFLMBB01-U) through Backing Plate (14AFLMKTB01-U) above the ladder rung.
 - c. Take another one (1) 1/2" U-Bolt (6UBG218) and place it around Bottom Bracket (14AFLMBB01-U) through Backing Plate (14AFLMKTB01-U) below the same ladder rung.
 - d. Fasten each 1/2" U-Bolt (6UBG218) with two (2) 1/2" Flat Washer (2WRWG012), two (2) 1/2" Split Lock Washers (2MSLG12), and two (2) 1/2" Heavy Hex Nuts (2HHNG1213G2H). Tension properly.
3. Place 3/8" U-Bolt (6UBG-38-414-118) behind the ladder, opposite of Bottom Bracket (14AFLMBB01-U).
4. Fasten 3/8" U-Bolt (6UBG-38-414-118) to Bottom Bracket (14AFLMBB01-U) using 3/8" USS Washers (2USSG038), 3/8" Split Lock Washers (2MSLG38), and 3/8" Heavy Hex Nuts (2HHNG3816G2H).

ALLFASTENERS 

959 LAKE ROAD MEDINA, OHIO 44256
P (440) 232-6060 F (440) 232-6062
www.allfasteners.com

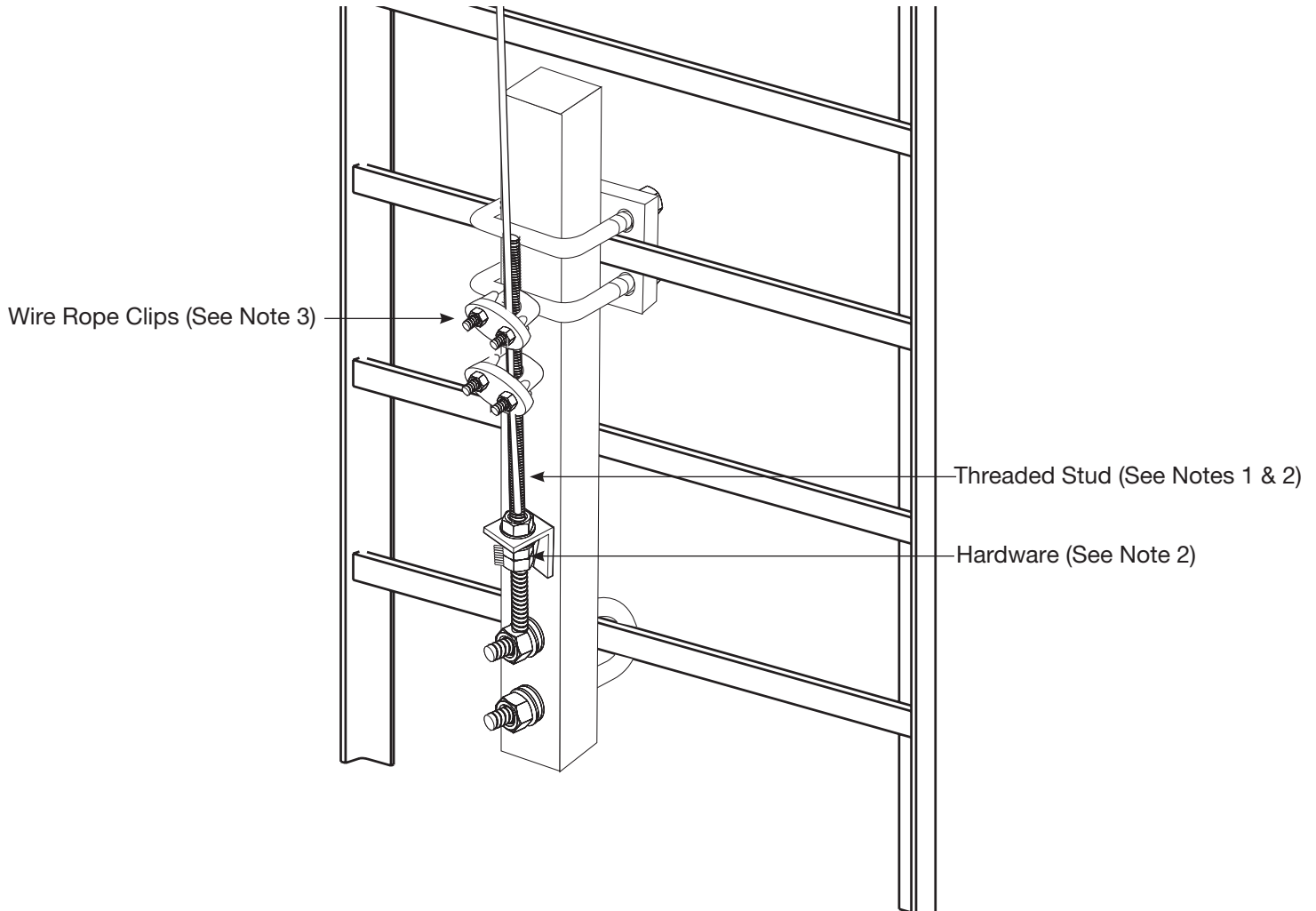
PHOENIX SAFETY CLIMB INSTALLATION INSTRUCTIONS

| | |
|--------------|--|
| PART NUMBER: | 14PHXLMSC |
| ITEM NAME: | PHOENIX LADDER MOUNT SAFETY CLIMB ASSEMBLY |

Users are advised to use this product strictly as intended by the manufacturer. Allfasteners disclaims all liability for any injury or damage resulting from the incorrect installation or use of this product. By using this product, users agree to hold Allfasteners harmless against any such claims.

INSTALLATION INSTRUCTIONS

BOTTOM BRACKET



1. Insert the 3/8" Threaded Stud (2TSG381000) through the hole on the tab extension of the Bottom Bracket (14AFLMBB01-U).
2. Thread one (1) 3/8" USS Flat Washer (2USSG038) and one (1) 3/8" Hex Nut (2HHNG3816G2H) from the top of the threaded rod, and one (1) 3/8" USS Flat Washer (2USSG038) and two (2) 3/8" Hex Nuts (2HHNG3816G2H) from the bottom. Do not over tension the nuts before ensuring wire rope is snug tight. See next page for more details.
3. Attach the 14CA Wire Rope Assembly to the threaded rod using two (2) Wire Rope Clips (6WRCDF038) - alternating tensions between the two clips to ensure proper installation.

ALLFASTENERS 

959 LAKE ROAD MEDINA, OHIO 44256
P (440) 232-6060 F (440) 232-6062
www.allfasteners.com

PHOENIX SAFETY CLIMB INSTALLATION INSTRUCTIONS

PART NUMBER: 14PHXLMSC

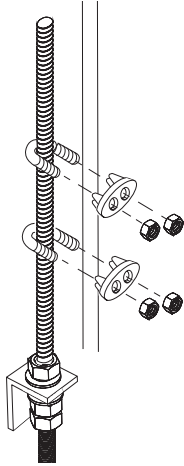
ITEM NAME: PHOENIX LADDER MOUNT SAFETY CLIMB ASSEMBLY

Users are advised to use this product strictly as intended by the manufacturer. Allfasteners disclaims all liability for any injury or damage resulting from the incorrect installation or use of this product. By using this product, users agree to hold Allfasteners harmless against any such claims.

INSTALLATION INSTRUCTIONS

BOTTOM BRACKET

CABLE ASSEMBLY TO BE PRE-TENSIONED SNUG TIGHT TO PROTECT THE USER IN CASE OF A FALL EVENT, AND TO ENSURE NO DAMAGE TO THE CABLE.



1. Pull the cable snug tight (as tight as possible) before installing the wire rope clips.
2. Tighten all nuts until proper tension is achieved.
3. Cut excess cable, and install cold shrink sleeve to base of wire rope assembly.

COLD SHRINK SLEEVE

The cold shrink sleeve is a REQUIREMENT FOR ALL SAFETY CLIMB SYSTEMS.

The sleeve is designed to provide a covered end to the bottom of the wire rope assembly - leaving no exposed wire.

Fits all Allfasteners Safety Climb Systems & Wire Rope Assemblies.

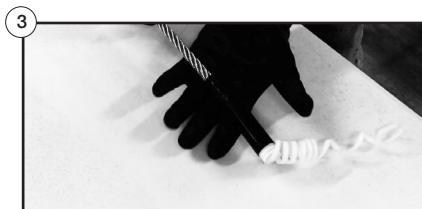
*Please note that inserting the wire rope into the wrong end of the cold shrink sleeve will result in improper installation, causing loose or frayed ends to remain exposed.



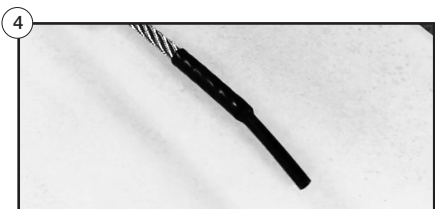
1. With the Safety Climb Assembly properly installed according to the instructions in this booklet, cut the wire rope roughly 6-10 inches below the bottom bracket.



2. Place the wire rope into the cold shrink sleeve at the end opposite the "pull direction" sticker.



3. Pull the sleeve's interior wire away from the wire rope. This will initiate the sleeve wrapping. If sleeve is not wrapping, ensure the wire rope is inserted into the correct end of the sleeve.



4. Continue to pull the line until the entire sleeve has covered the end of the wire.

ALLFASTENERS 

959 LAKE ROAD MEDINA, OHIO 44256
P (440) 232-6060 F (440) 232-6062
www.allfasteners.com

PHOENIX SAFETY CLIMB INSTALLATION INSTRUCTIONS

PART NUMBER:

14PHXLMSC

ITEM NAME:

PHOENIX LADDER MOUNT SAFETY CLIMB ASSEMBLY

Users are advised to use this product strictly as intended by the manufacturer. Allfasteners disclaims all liability for any injury or damage resulting from the incorrect installation or use of this product. By using this product, users agree to hold Allfasteners harmless against any such claims.

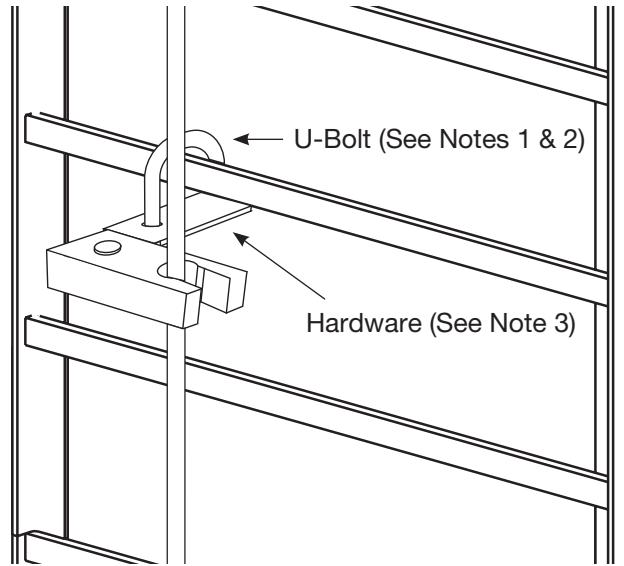
DATE: 3/19/2024

PAGE: 31

PREP BY: AF

INSTALLATION INSTRUCTIONS

INTERMEDIATE BRACKETS



1. To install Intermediate Bracket (14PHXAFLMIB01) to the ladder, place 3/16" Bent Bracket (14AFLMIB01-U) on the top of one rung - positioning one (1) hole on each side of the rung.
2. Place 3/8" U-Bolt (6UBG-RU2) through the top of Bent Bracket (14AFLMIB01-U) holes, making sure to have one (1) threaded end of U-Bolt (6UBG-RU2) on each side of the rung.
3. Fasten U-Bolt (6UBG-RU2) using two (2) 3/8" USS Washers (2USSG038), two (2) 3/8" Split Lock Washers (2MSLG38), and two (2) 3/8" Heavy Hex Nuts (2HHNG3816G2H). Tension properly.
4. Feed Wire Rope Assembly (14CA) through 3/8" Cable Guide (13CGBLACK).
5. Install lock pins on cable guides where necessary to prevent the cable from being removed. In cases where the climbing path is clear, lock pins on cable guides are generally unnecessary.

IMPORTANT NOTES

Intermediate Brackets must be installed every 25ft or less, alternating the opening direction of the bracket from left to right along the tower.

Adhere to the tower owners' and carriers' guidelines for cable routing around or through existing fixtures or obstructions.

Employ extra cable guides and secure with locking pins as necessary near obstructions or mounts to prevent the cable from touching them.

Improper restraint or contact with the structure or mounts could damage the wire rope.

ALLFASTENERS 

959 LAKE ROAD MEDINA, OHIO 44256
P (440) 232-6060 F (440) 232-6062
www.allfasteners.com

PHOENIX SAFETY CLIMB INSTALLATION INSTRUCTIONS

| | |
|--------------|--|
| PART NUMBER: | 14PHXLMSC |
| ITEM NAME: | PHOENIX LADDER MOUNT SAFETY CLIMB ASSEMBLY |

Users are advised to use this product strictly as intended by the manufacturer. Allfasteners disclaims all liability for any injury or damage resulting from the incorrect installation or use of this product. By using this product, users agree to hold Allfasteners harmless against any such claims.

MAINTENANCE

1. This system needs to be checked and re-certified by a competent person according to ANSI and/or TIA requirements.
2. Never clean using acids or other chemicals that could damage the system components.
3. The identification/certification label must be completed confirming maintenance and recertification of the system.
4. Any deterioration or damage to the system or equipment must be reported to the person in control of the worksite and relevant corrective action undertaken.
5. Maintenance inspections must be clearly documented. Any non-conformance must be clearly identified and tagged 'Do Not Use' until corrective action by a competent person has been completed.

Check criteria required to ensure the safe use of this system. Any item of concern not shown on the checklist must be noted on the maintenance report and brought to the attention of the tower owner.

Items checked PASS- YES means they conform with the required checking criteria and are suitable for normal use.

Item checked PASS - NO means they do not conform to the required checking criteria. These items must be clearly tagged 'Do Not Use' and the required corrective actions put in place. The maintenance report must clearly document all non-conforming criteria.

This system must be maintained by a person trained in the safe use and maintenance of this system.

THIS SECTION IS TO DEFINE THE MAINTENANCE & CONDITION ASSESSMENT REQUIREMENTS OF A WIRE ROPE SAFETY CLIMB.

The wire rope safety climb is considered an appurtenance and therefore maintenance and condition assessments shall occur in accordance with recommended ANSI/TIA-222 intervals or tower owner/EOR recommendations, which may shorten or lengthen ANSI/TIA-222 intervals based upon an established maintenance and condition program.

If deficiencies, outside of routine maintenance or manufacturer specifications, are found in any of the wire rope safety climb components, the manufacturer of the wire rope safety climb or tower owner/EOR shall be consulted for corrective action.

For questions associated with the ANSI/TIA-222 antenna supporting structure, including climbing facilities and appurtenance connections, communication shall occur with the tower owner/EOR.



PHOENIX SAFETY CLIMB INSTALLATION INSTRUCTIONS

| | |
|---------------------|-------------------------------|
| PART NUMBER: | 14PHX |
| ITEM NAME: | PHOENIX SAFETY CLIMB ASSEMBLY |

Users are advised to use this product strictly as intended by the manufacturer. Allfasteners disclaims all liability for any injury or damage resulting from the incorrect installation or use of this product. By using this product, users agree to hold Allfasteners harmless against any such claims.

MAINTENANCE

TECHNICAL

FALL CLEARANCE

There must be sufficient clearance below the user to arrest a fall before the user strikes the ground or another lower level hazard. The clearance required is dependent on the following factors and analyzed by a competent climber.

- Elevation of anchorage
- Anchorage deflection
- Lanyard elongation on deceleration pull out (personal energy absorber)
- Lanyard length
- Operator height
- Fall distance residual clearance

SYSTEM REQUIREMENTS

The worker must wear a full body harness when connected to any fall arrest system including a personal energy absorber compliant with the relevant ANSI Standards.

SAFETY CLIMB METAL TAG

Required "Aluminum Tag" to be included in your installation process.

This tag is to be attached to the bottom bracket.

Before attaching tag, installation date will need to be completed by stamping installation date on tag. Markers are **NOT** recommended.

Our AF reps are available to answer any questions you have on this process and suggested tips.

ALLFASTENERS 

959 LAKE ROAD MEDINA, OHIO 44256
P (440) 232-6060 F (440) 232-6062
www.allfasteners.com

PHOENIX SAFETY CLIMB INSTALLATION INSTRUCTIONS

| | |
|--------------|-------------------------------|
| PART NUMBER: | 14PHX |
| ITEM NAME: | PHOENIX SAFETY CLIMB ASSEMBLY |

Users are advised to use this product strictly as intended by the manufacturer. Allfasteners disclaims all liability for any injury or damage resulting from the incorrect installation or use of this product. By using this product, users agree to hold Allfasteners harmless against any such claims.

MAINTENANCE

WARRANTY

WARRANTY PERIOD ON THIS SYSTEM - 3 YEARS FROM DATE OF PURCHASE.

Warranty on full system is for 3 years from date of purchase. Warranty does not include general wear and tear and is subject to approval/inspection by manufacturer.

Should you have a warranty claim as a result of a defect the following procedure must be followed:

Identify the following information:

- The product/system name and code number.
- The date of purchase/installation.
- Installation company details.
- The installation identification number.
- The name of the company using this system.
- A description of the defect/warranty claim.
- The periodic system maintenance report.

Forward the above information to sales@allfasteners.com or contact 888.859.6060.



959 LAKE ROAD MEDINA, OHIO 44256
P (440) 232-6060 F (440) 232-6062
www.allfasteners.com

PHOENIX SAFETY CLIMB INSTALLATION INSTRUCTIONS

| | |
|--------------|-------------------------------|
| PART NUMBER: | 14PHX |
| ITEM NAME: | PHOENIX SAFETY CLIMB ASSEMBLY |

Users are advised to use this product strictly as intended by the manufacturer. Allfasteners disclaims all liability for any injury or damage resulting from the incorrect installation or use of this product. By using this product, users agree to hold Allfasteners harmless against any such claims.



LOCATIONS NATIONWIDE

888.859.6060

SALES@ALLFASTENERS.COM

Users are advised to use this product strictly as intended by the manufacturer. Allfasteners disclaims all liability for any injury or damage resulting from the incorrect installation or use of this product. By using this product, users agree to hold Allfasteners harmless against any such claims.