



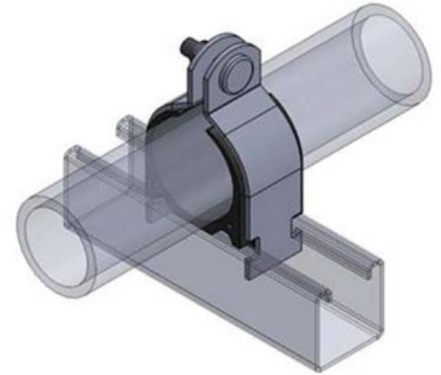
CUSHION STRUT PIPE CLAMP

ELECTRO-GALVANIZED & COPPER COATED

CUSHION STRUT CLAMP - DIMENSIONAL DATA

Material	Electro-galvanized steel with thermoplastic insulating liner.
Notes	Also available in IPS sizes. Also available in 316 stainless steel.

OD Size	Nominal Tube Size	Weight Each (lbs)
1/4	1/8	0.110
3/8	1/4	0.110
1/2	3/8	0.110
5/8	1/2	0.120
3/4	5/8	0.130
7/8	3/4	0.200
1	7/8	0.210
1-1/8	1	0.275
1-1/4	1-1/8	0.292
1-3/8	1-1/4	0.310
1-1/2	1-3/8	0.354
1-5/8	1-1/2	0.400
1-3/4	1-5/8	0.413
1-7/8	1-3/4	0.425
2	1-7/8	0.454
2-1/8	2	0.483
2-3/8	2-1/4	0.600
2-5/8	2-1/2	0.610
3-1/8	3	0.650
4-1/8	4	0.900





COPPER TUBING STRUT CLAMP & UNIVERSAL STRUT CLAMP

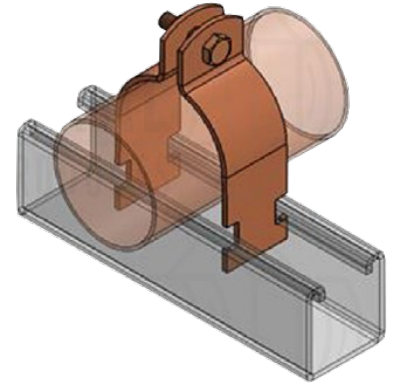
ELECTRO-GALVANIZED

EPOXY COATED COPPER-GARD AND COPPER PLATED STRUT PIPE CLAMP

DIMENSIONAL DATA

Material	Epoxy coated over telecom-galvanized steel (CT). Copper plated carbon steel (CTP).
Notes	Also available in 316 stainless steel.

Tube Size	Max. Rec Load (lbs)	Weight Each (lbs)
3/8	400	0.09
1/2		0.10
3/4		0.12
1	600	0.15
1-1/4		0.17
1-1/2		0.19
2	800	0.32
2-1/2		0.37
3		0.43
3-1/2	1000	0.56
4		0.62
5		0.85
6		0.96



UNIVERSAL PIPE STRUT CLAMP ASSEMBLED - DIMENSIONAL DATA

Material	Electro-galvanized carbon steel.
Notes	Also available in 316 stainless steel.

Pipe Size	OD Size Range	Max Rec Load (lbs)	Weight Each (lbs)
3/8	0.557-0.706	400	0.18
1/2	0.701-0.875		0.20
3/4	0.917-1.031		0.22
1	1.125-1.375	600	0.24
1-1/4	1.5-1.691		0.27
1-1/2	1.735-1.931		0.30
2	2.192-2.40		0.35

